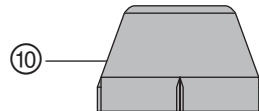
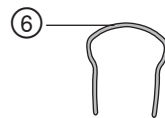
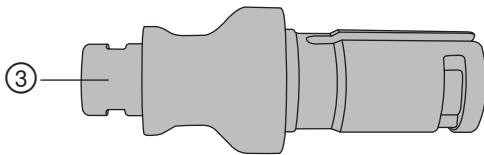
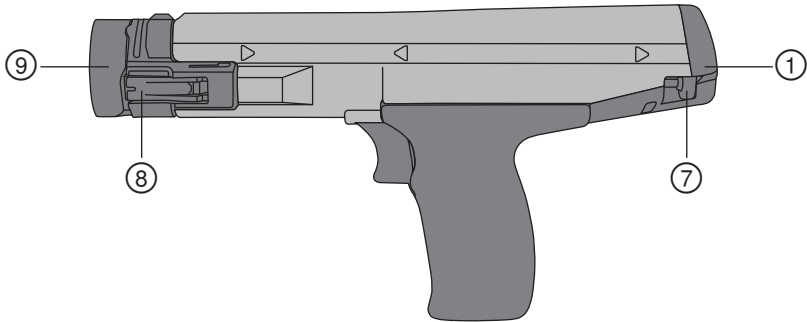
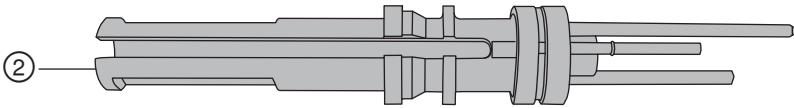
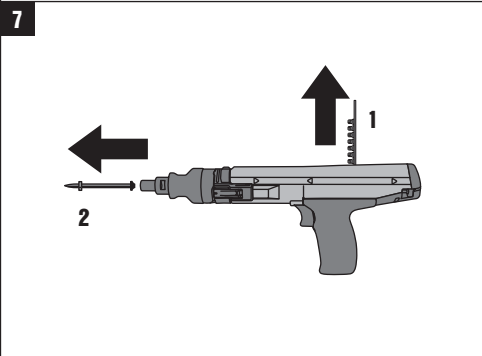
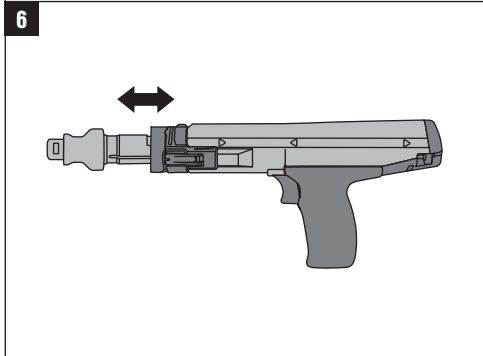
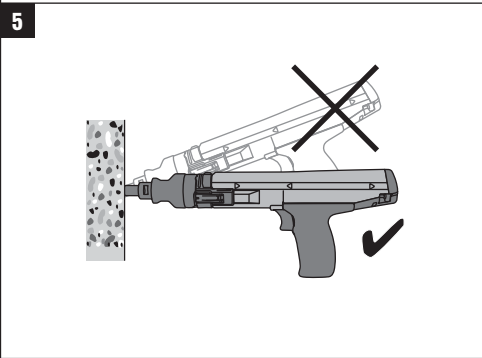
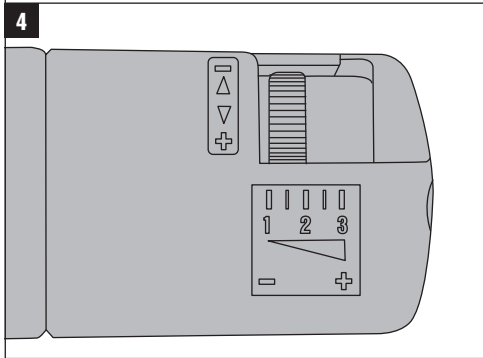
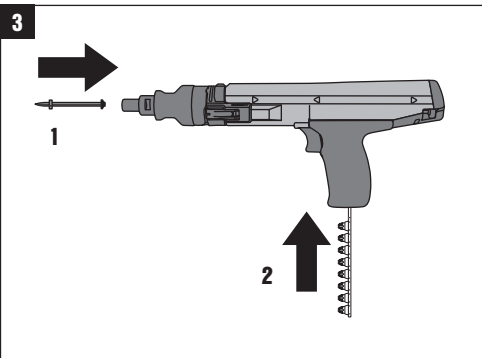
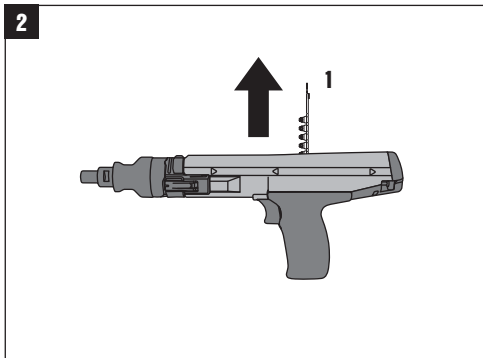
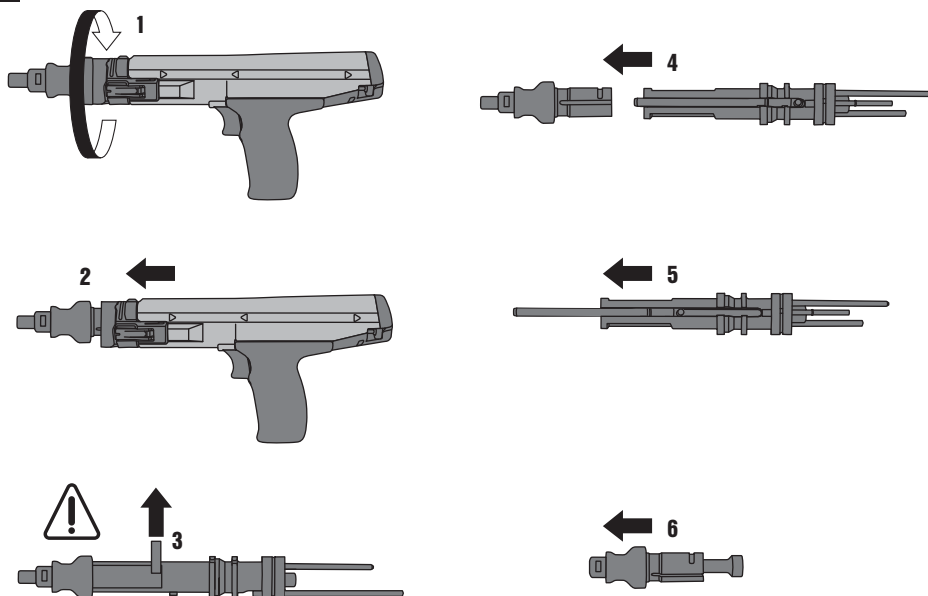


Bedienungsanleitung	de
Operating instructions	en
Mode d'emploi	fr
Manual de instrucciones	es
Manual de instruções	pt
Brugsanvisning	da
Οδηγίες χρήσεως	el
Használati utasítás	hu
Инструкция по эксплуатации	ru
Návod k obsluze	cs
Návod na obsluhu	sk
Kullanma Talimatı	tr
دليل الاستعمال	ar
ІНСТРУКЦІЯ З ЕКСПЛУАТАЦІЇ	uk
取扱説明書	ja
사용설명서	ko
操作説明書	zh
Kasutusjuhend	et
Instrukcija	lt
Lietošanas pamācība	lv

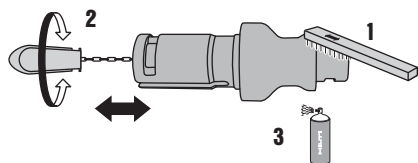




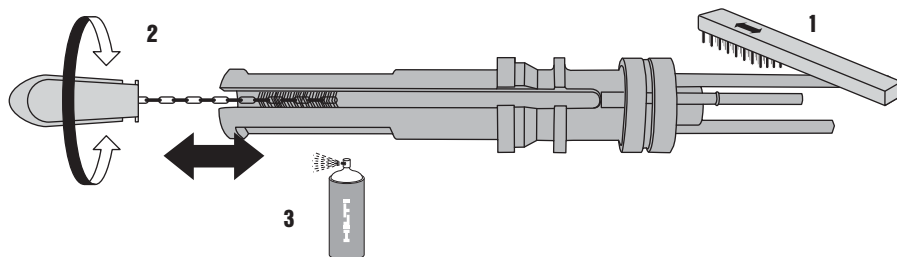
8



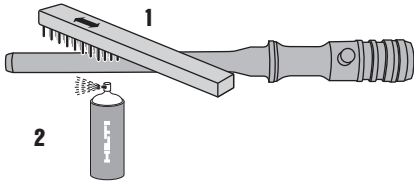
9



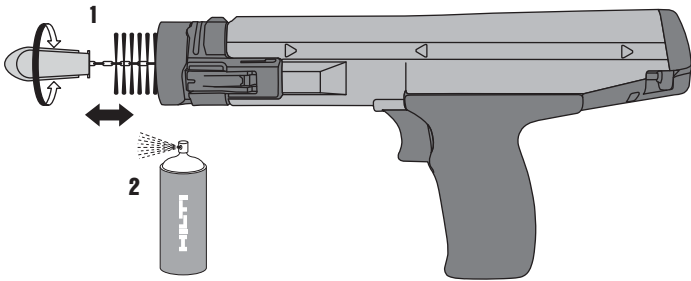
10



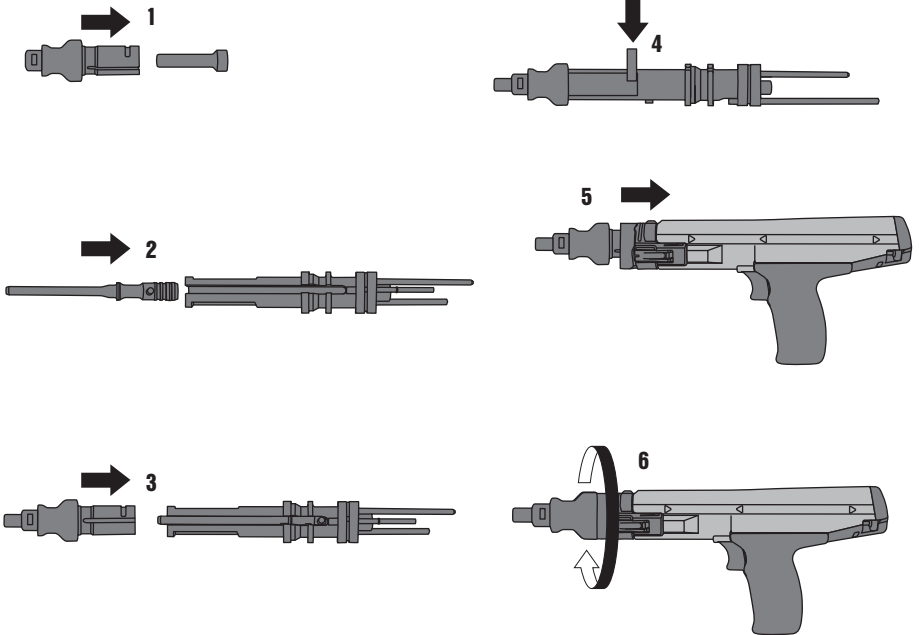
11



12



13



DX 36 powder-actuated fastening tool

It is essential that the operating instructions are read before the tool is operated for the first time.

Always keep these operating instructions together with the tool.

Ensure that the operating instructions are with the tool when it is given to other persons.

Contents	Page
1 Safety instructions	18
2 General information	20
3 Description	21
4 Accessories, consumables	22
5 Technical data	23
6 Before use	23
7 Guidelines	23
8 Operation	24
9 Care and maintenance	25
10 Troubleshooting	27
11 Disposal	31
12 Manufacturer's warranty - tools	32
13 EC declaration of conformity (original)	32
14 Confirmation of CIP testing	32
15 Health and safety of the operator	33

These numbers refer to the corresponding illustrations. The illustrations can be found on the fold-out cover pages. Keep these pages open while studying the operating instructions.

In these operating instructions, the designation "the tool" always refers to the DX 36 powder-actuated fastening tool.

Parts and operating controls 1

- ① Casing
- ② Piston guide
- ③ Base plate
- ④ Fastener guide
- ⑤ Piston
- ⑥ Spring clip
- ⑦ Power regulation wheel
- ⑧ Catch
- ⑨ Swivel ring
- ⑩ Stabilizer (fragmentation guard, only USA)

1 Safety instructions

1.1 Basic information concerning safety

In addition to the information relevant to safety given in each of the sections of these operating instructions, the following points must be strictly observed at all times.

1.1.1 Using cartridges

Use only Hilti cartridges or cartridges of equivalent quality.

Use of cartridges of inferior quality in Hilti tools may lead to a build-up of unburned powder, which may explode and cause severe injuries to operators and bystanders. Cartridges must fulfill one of the following minimum requirements:

- a) **The applicable manufacturer must be able to verify successful testing in accordance with the EU standard EN 16264 or**
- b) **The cartridges must bear the CE conformity mark (mandatory in the EU as of July 2013).**

NOTE

All Hilti cartridges for powder-actuated tools have been tested successfully in accordance with EN 16264. The tests defined in the EN 16264 standard are system tests

carried out by the certification authority using specific combinations of cartridges and tools. The tool designation, the name of the certification authority and the system test number are printed on the cartridge packaging.

Please refer to the packaging example at: www.hilti.com/dx-cartridges

1.1.2 Requirements to be met by users

- a) **The tool is intended for professional use.**
- b) **The tool may be operated, serviced and repaired only by authorized, trained personnel. This personnel must be informed of any special hazards that may be encountered.**

1.1.3 Personal safety

- a) **Stay alert, watch what you are doing and use common sense when operating a direct fastening tool. Don't use the tool when you are tired or under the influence of drugs, alcohol or medication. Stop using the tool if you experience pain or do not feel well. A moment of inattention while operating the tool may result in serious personal injury.**

- b) **Avoid unfavorable body positions. Make sure you work from a safe stance and stay in balance at all times.**
- c) **Wear non-skid shoes.**
- d) **Never point the tool toward yourself or other persons.**
- e) **Never press the nosepiece of the tool against your hand or against any other part of your body (or other person's hand or part of their body).**
- f) **Keep other persons, especially children, away from the area in which the work is being carried out.**
- g) **Keep the arms slightly bent while operating the tool (do not straighten the arms).**
- h) **Observe the information printed in the operating instructions concerning operation, care and maintenance.**

1.1.4 Use and care of powder-actuated fastening tools

- a) **Use the right tool for the job. Do not use the tool for purposes for which it was not intended. Use it only as directed and when in faultless condition.**
- b) **Never leave a loaded tool unattended.**
- c) **Store unused cartridges and tools currently not in use in a dry place where they are not exposed to high temperatures.**
- d) **Transport and store the tool in a toolbox that can be secured to prevent unauthorized use.**
- e) **Always unload the tool (remove cartridges and fasteners) before cleaning, before maintenance, before work breaks and before storing the tool.**
- f) **When not in use, tools must be unloaded and stored in a dry place, locked up or out of reach of children.**
- g) **Check the tool and its accessories for any damage. Guards, safety devices and any slightly worn parts must be checked carefully to ensure that they function faultlessly and as intended. Check that moving parts function correctly without sticking and that no parts are damaged. All parts must be fitted correctly and fulfill all conditions necessary for correct operation of the tool. Damaged guards, safety devices and other parts must be repaired or replaced properly at a Hilti service center unless otherwise indicated in the operating instructions.**
- h) **Pull the trigger only when the tool is fully pressed against the working surface at right angles.**
- i) **Always hold the tool securely and at right angles to the working surface when driving in fasteners. This will help to prevent fasteners being deflected by the working surface.**
- j) **Never redrive a fastener. This may cause the fastener to break and the tool may jam.**
- k) **Never drive fasteners into existing holes unless this is recommended by Hilti (e.g. DX-Kwik).**
- l) **Always observe the application guidelines.**
- m) **Use the fragmentation guard when the application permits.**
- n) **Never pull the fastener guide back by hand as this could make the tool ready to fire. This could**

cause a fastener or the piston to be driven into a part of the body.

1.1.5 Work area safety



- a) **Ensure that the workplace is well lit.**
- b) **Operate the tool only in well-ventilated working areas.**
- c) **Do not attempt to drive fasteners into unsuitable materials:** Materials that are too hard, e.g. welded steel and cast iron. Materials that are too soft, e.g. wood and drywall panel (gypsum board). Materials that are too brittle, e.g. glass and ceramic tiles. Driving a fastener into these materials may cause the fastener to break, shatter or to be driven right through.
- d) **Never attempt to drive fasteners into materials such as glass, marble, plastic, bronze, brass, copper, rock, insulation material, hollow brick, ceramic brick, thin sheet metal (< 4 mm), cast iron or cellular concrete.**
- e) **Before driving fasteners, check that no one is present immediately behind or below the working surface.**
- f) **Keep the workplace tidy. Objects which could cause injury should be removed from the working area. Untidiness at the workplace can lead to accidents.**
- g) **Keep the grips dry, clean and free from oil and grease.**
- h) **Do not use the tool where there is a risk of fire or explosion unless it has been specially approved for use under these conditions.**

1.1.6 Mechanical safety precautions



- a) **Select the correct combination of fastener guide, piston and fastener.** Failure to use the correct combination of these items may result in injury or cause damage to the tool and/or lead to unsatisfactory fastening quality.
- b) **Use only fasteners of a type approved for use with the tool.**
- c) **Do not tamper with or modify the tool or parts of it, especially the piston.**

1.1.7 Thermal safety precautions

- a) **Do not exceed the recommended fastener driving rate (number of fasteners driven per hour).**
- b) **If the tool has overheated, allow it to cool down.**
- c) **Do not dismantle the tool while it is hot. Allow the tool to cool down.**

- d) The tool must be allowed to cool down if the plastic cartridge strip begins to melt.

1.1.8 Danger of explosion



- a) Use only cartridges of a type approved for use with the tool.
 b) Remove the cartridge strip from the tool carefully.
 c) Do not attempt to forcibly remove cartridges from the magazine strip or tool.

- d) Store unused cartridges in a locked place where they are not exposed to dampness or excessively high temperatures.

1.1.9 Personal protective equipment



The user and any other persons in the vicinity must wear suitable eye protection, a hard hat and ear protection while the tool is in use or when remedying a problem with the tool.

en

2 General information

2.1 Safety notices and their meaning

DANGER

Draws attention to imminent danger that will lead to serious bodily injury or fatality.

WARNING

Draws attention to a potentially dangerous situation that could lead to serious personal injury or fatality.

CAUTION

Draws attention to a potentially dangerous situation that could lead to slight personal injury or damage to the equipment or other property.

NOTE

Draws attention to an instruction or other useful information.

2.2 Explanation of the pictograms and other information

Warning signs



General warning



Warning: explosive substances



Warning: hot surface

Obligation signs



Wear protective glasses



Wear a hard hat



Wear ear protection

Symbols



Read the operating instructions before use

Location of identification data on the tool

The type designation and serial number can be found on the type identification plate on the tool. Make a note of this data in your operating instructions and always refer to it when making an enquiry to your Hilti representative or service department.

Type: _____

Generation: 01 _____

Serial no.: _____

3 Description

3.1 Use of the product as directed

The tool is designed for professional use in fastening applications where nails, threaded studs and composite fasteners are driven into concrete, steel and sand-lime block masonry.

The tool is for hand-held use only.

Modification of the tool is not permissible.

The tool may not be used in an explosive or flammable atmosphere unless it has been approved for use under these conditions.

To avoid the risk of injury use only genuine Hilti fasteners, cartridges, accessories and spare parts or those of equivalent quality.

Observe the information printed in the operating instructions concerning operation, care and maintenance.

The tool and its ancillary equipment may present hazards when used incorrectly by untrained personnel or when used not as directed.

The tool may be operated, serviced and repaired only by trained personnel. This personnel must be informed of any special hazards that may be encountered.

As with all powder-actuated fastening tools, the tool, cartridges and fasteners form a technical unit. This means that trouble-free fastening with this system can be assured only if the Hilti fasteners and cartridges specially manufactured for it, or products of equivalent quality, are used. The fastening and application recommendations given by Hilti apply only when these conditions are observed.

The tool features a 5-way safety system for the safety of the user and all bystanders.

3.2 Piston principle

The energy from the propellant charge is transferred to a piston, the accelerated mass of which drives the fastener into the base material. Due to use of this piston principle, the tool is classified as a "low velocity tool". As approximately 95% of the kinetic energy is absorbed by the piston, the fastener is driven into the base material in a controlled fashion at much reduced velocity (less than 100 m/s). The driving process ends when the piston is stopped at the end of its travel. This makes dangerous through-shots virtually impossible when the tool is used correctly.

3.3 Drop-firing safety device

The drop-firing safety device is the result of coupling the firing mechanism with the cocking movement. This prevents the tool from firing when dropped onto a hard surface, no matter at which angle the impact occurs.

3.4 Trigger safety device

The trigger safety device prevents the tool firing when only the trigger is pulled. The tool must be pressed against a firm surface before a fastener can be released.

3.5 Contact pressure safety device

The tool can be fired only when pressed fully against a firm surface with a force of at least 50 N.

3.6 Unintentional firing safety device

The tool is also equipped with an unintentional firing safety device. This prevents the tool from firing if the trigger is first pulled and the tool then pressed against the work surface. The tool can be fired only when it is first pressed correctly against the work surface and the trigger subsequently pulled.

3.7 Range of fasteners available for various applications

Fasteners

Ordering designation	Application
X-U	High-strength nail for fastening on high-strength steel and concrete in a wide range of applications
X-C	Standard nail for fastening on concrete
X-S	Standard nail for efficient fastening on steel
X-CT	Easily removable nail for fastening form-work temporarily on concrete

Ordering designation	Application
X-CR	Stainless steel nail for fastening in damp or corrosive surroundings
X-CP / X-CF	Special fastener for timber structures on concrete
X-FS	Fastener for positioning formwork
X-SW	Flexible washer fastener for fastening plastic sheeting and thin insulating materials to concrete and steel
X-HS / X-HS-W	Suspension system with threaded connection
X-CC	Fastening clip for wire hangers
X-(D)FB / X-EMTC	Metal conduit clip for fastening electrical conduits or insulated pipes (hot or cold) in water supply and heating installations
X-EKB	Cable clasp for fastening electric cables flat on ceilings and walls
X-ECH	Bunched cable holder for fastening cables on ceilings and walls
X-ET	Fastener for plastic (PVC) electric cable trunking
X-(E)M/W/6/8 ... P8	Threaded stud for temporary fastenings on concrete and steel
X-DNH / DKH X-M6/8H	Approved (ETA) DX-Kwik fastening system use on concrete with predrilling

Cartridges

Ordering designation	Color	Power level
6.8/11 M green	green	light
6.8/11 M yellow	yellow	medium
6.8/11 M red	red	heavy

4 Accessories, consumables

NOTE

For information about further accessories and fasteners for use with the tool, please contact your local Hilti representative.

Safety accessories and cleaning set

Designation
Cleaning set
Hilti spray
Spring clip spare parts pack
Operating instructions
Stabilizer (fragmentation guard, only USA)

Standard accessories

Designation	Item number
36/F3 fastener guide	3737
36/S13 base plate	3738

Designation	Item number
36/DNI piston	409313
Spring clip	3739

5 Technical data

Right of technical changes reserved.

Tool	DX 36
Weight	2.4 kg
Dimensions (L x W x H)	370 mm × 52 mm × 151 mm
Maximum fastener length	62 mm
Cartridges	6.8/11 M (27 cal. short) green, yellow, red
Power regulation	3 cartridge power levels, power regulation wheel
Contact movement	14 mm
Contact pressure	140 N
Ambient operating temperature range	-15... +50°C
Recommended maximum fastening rate	600/h

6 Before use



NOTE

Read the operating instructions before the tool is operated for the first time.

6.1 Checking the tool

WARNING

Do not operate the tool when parts are damaged or when the controls do not function correctly. If necessary, have the tool repaired at an authorized Hilti service center.

Check that no cartridge strip is loaded in the tool. If there is a cartridge strip in the tool, pull it up out of the tool by hand from above.

Check all external parts of the tool for damage and check that all controls operate faultlessly.

Check the piston and spring clip for wear and ensure that the parts have been fitted correctly.

7 Guidelines

7.1 Fastening guidelines

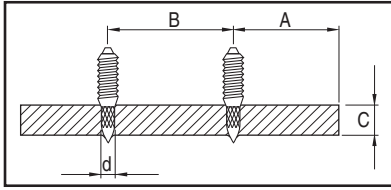
These guidelines must be observed at all times.

NOTE

For detailed information, please ask your local Hilti sales and service office for a copy of the applicable technical guidelines or national technical regulations.

7.1.1 Minimum distances and spacing

Minimum distances and spacing when fastening to steel



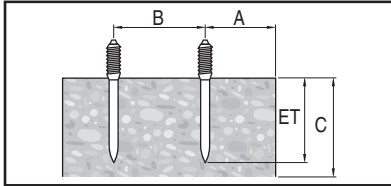
A min. edge distance = 15 mm ($\frac{5}{8}$ ")

B min. spacing = 20 mm ($\frac{3}{4}$ ")

C min. base material thickness = 4 mm ($\frac{5}{32}$ ")

en

Minimum distances and spacing when fastening to concrete



A min. edge distance = 70 mm ($2\frac{3}{4}$ ")

b min. spacing = 80 mm ($3\frac{1}{8}$ ")

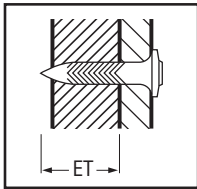
c min. base material thickness = 100 mm (4")

7.1.2 Depth of penetration

NOTE

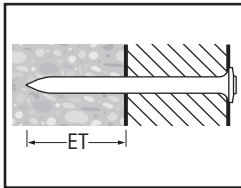
Examples and specific information can be found in the Hilti Fastening Technology Manual.

Nail lengths for steel



ET Depth of penetration: 12 ± 2 mm ($\frac{1}{2}$ " ± $\frac{1}{16}$ ")

Nail lengths for concrete



ET Depth of penetration: 22 mm (max. 27 mm) ($\frac{7}{8}$ " (max. 1")

8 Operation



WARNING

The material may splinter or fragments of the magazine strip may fly off when the fastener is driven. **The user of the tool and other persons in the immediate vicinity must wear protective glasses and a hard hat.** Splin-

tering material presents a risk of injury to the eyes and body.

CAUTION

The fastener driving action is initiated by ignition of a propellant charge. **The user of the tool and other persons in the immediate vicinity must wear ear protectors.** Exposure to noise can cause hearing loss.

WARNING

Never make the tool ready to fire by pressing it against a part of the body (e.g. the hand). This could cause a nail or the piston to be driven into a part of the body. **Never press the tool against a part of the body.**

WARNING

Never redrive a fastener. This may cause the fastener to break and the tool may jam.

WARNING

Never drive fasteners into existing holes unless this is recommended by Hilti (e.g. DX-Kwik).

CAUTION

Do not exceed the recommended fastener driving rate (number of fasteners driven per hour).

8.1 Procedure if a cartridge fails to fire

If a cartridge fails to fire or misfires, always proceed as follows:

Keep the nose of the tool pressed at right angles against the working surface for 30 seconds.

If the cartridge still fails to fire, withdraw the tool from the working surface, taking care to avoid pointing it toward your body or toward bystanders.

Load the next cartridge on the strip by cycling the tool. Use up the remaining cartridges on the strip and remove the used cartridge strip from the tool. The (partly) used cartridge strip must then be disposed of appropriately to prevent further use or misuse of any unfired cartridges.

8.2 Loading the tool 3

1. Push the nail, head first, into the nose of the tool from the front until it is held in place in the tool by the washer on the nail.
2. Push the cartridge strip, narrow end first, into the grip of the tool from below until the full length of the cartridge strip is inside the grip.
3. If you wish to use a partly-used cartridge strip, pull the strip upwards by hand out of the tool slightly until the first unused cartridge is in place in the cartridge chamber.

8.3 Setting the power level 4

1. Select a cartridge power level and power setting to suit the application.
2. If you cannot estimate this on the basis of previous experience, always begin with the lowest power. Select a cartridge of the lowest power level (color code) and turn the power regulating wheel to 1.
3. Drive a nail.
If the nail doesn't penetrate deeply enough, increase the driving power by turning the power regulating wheel. If necessary, use a more powerful cartridge.

8.4 Driving a fastener 5

DANGER

Always observe the safety rules listed in the operating instructions.

1. Press the tool against the working surface at right angles.
2. Drive the fastener by pulling the trigger.

8.5 Cycling the tool 6

NOTE

If the cycling action is stiff (i.e. pulling out, pushing back in), this indicates that the tool needs to be cleaned. Service the tool! (see section 9.3).

1. After driving a fastener, grip the collar at the nose of the tool between the thumb and forefinger.
2. Pull the nose unit forward in the main axis of the tool as far as it will go.
3. Then move the nose unit all the way back to its original position.
This movement brings the piston back to its starting position and advances the cartridge strip to the next cartridge.
The tool is then ready to drive the next fastener.

8.6 Unloading the tool 7

Check that there is no cartridge strip or fastener in the tool.

If there is a cartridge strip or fastener in the tool, pull the cartridge strip up out of the tool by hand from above and remove the fastener from the fastener guide.

9 Care and maintenance



CAUTION

When this type of tool is used under normal operating conditions, dirt and residues build up inside the tool and functionally relevant parts are also subject to wear. **Regular inspections and maintenance are thus essential in order to ensure reliable operation. We recommend that the tool is cleaned and the condition of the pis-**

ton checked at least daily when the tool is subjected to intensive use, and at the latest after driving 3,000 fasteners.

WARNING

All cartridges must be removed from the tool. Check to ensure that no fastener is present in the fastener guide before carrying out maintenance or repairs.

CAUTION

The tool may get hot during use. You could burn your hands. **Do not dismantle the tool while it is hot. Allow the tool to cool down.**

9.1 Care of the tool

Clean the outside of the tool at regular intervals with a slightly damp cloth.

WARNING

Do not clean with a spray or pressure washer. Do not permit foreign objects to enter the interior of the tool.

9.2 Maintenance

Check all external parts of the tool for damage at regular intervals and check that all controls operate faultlessly. Do not operate the tool if parts are damaged or when the controls do not function faultlessly. If necessary, the tool should be repaired by Hilti Service.

Use the tool only with the recommended cartridges and power settings. Use of the wrong cartridges or use of excessively high power settings may lead to premature failure of parts of the tool.

CAUTION

Dirt and residues in DX tools contain substances that may be hazardous to your health. **Do not inhale dust / or dirt from cleaning. Keep the dust or dirt away from foodstuffs. Wash your hands after cleaning the tool. Never use grease for the maintenance/lubrication of parts of the tool. This may lead to malfunctions. Use only Hilti lubricant spray or a product of equivalent quality.**

9.3 Servicing the tool

Service the tool if fastener driving power is found to be inconsistent, if cartridges misfire or if parts of the tool no longer move or operate smoothly and easily. In other words, servicing is necessary when it takes more force to press the tool against the work surface, when trigger resistance increases, when the power regulating wheel begins to stick, when the cartridge strip is difficult to remove or the cycling action becomes increasingly stiff.

9.3.1 Disassembling the tool

CAUTION

Forcing the spring clip into place may cause it to jump off with considerable energy. **Take care to avoid injuring yourself or others. Hold the assembly with its back facing downwards.**

1. Pivot the catch out by turning the ring through 45 degrees.
NOTE If the catch sticks, a nail can be used to help release it.
2. Allow the assembly to slide out of the tool.
NOTE If the assembly sticks in place it can be released by pulling with a jerk.
3. Remove the spring clip. Use a suitable tool for this purpose (e.g. screwdriver or nail).
4. Pull the base plate, complete with the fastener guide, off the piston guide.

5. Pull the piston out of the piston guide.
6. Allow the fastener guide to slide out of the base plate toward the rear.
NOTE If the parts of the tool tend to stick due to carbon build-up, use the piston to push the fastener guide out of the base plate from the front.

9.3.2 Checking the piston for wear

NOTE

Never use a worn or damaged piston and do not attempt to manipulate or modify the piston.

Replace the piston when:

- the piston is broken
- the piston is badly worn or chipped (e.g. a 90° segment broken away).
- the piston rings are cracked or missing.
- the piston is bent (check by rolling the piston on a smooth, flat surface).

9.3.3 Checking the fastener guide for wear

Replace the fastener guide if the tubular section is damaged (e.g. bent, widened or cracked).

9.3.4 Checking the spring clip for wear

Replace the spring clip if it is badly worn or bent.

9.3.5 Cleaning

Clean the tool at least once a week or, respectively, immediately after each period of heavy use (after driving approx. 3,000 nails).

Use the appropriate brushes to clean the individual parts:

1. Clean the fastener guide and base plate, inside and out.
2. Clean the piston and piston rings until the parts move freely.
3. Clean the piston guide, inside and out.
4. Clean the inside of the housing.

9.3.6 Lubrication

Spray the cleaned parts lightly with the Hilti lubricant spray supplied. Use only Hilti lubricant spray or a product of comparable quality.

9.3.7 Assembling the tool

NOTE

Handle the small parts carefully. They could get lost.

1. Fit the fastener guide into the base plate.
2. Slide the piston into the piston guide as far as it will go.
3. Fit the base plate with the fastener guide onto the piston guide.
NOTE The pin on the piston and the slot in the base plate and piston guide must be in alignment.
4. Press the spring clip into the recess.
5. Guide the assembly into the tool.
NOTE The slot in the assembly must be in alignment with the catch.

6. Press the catch into the opening in the ring and then rotate the ring back through 45 degrees.

NOTE The catch can be removed when pivoted out and subsequently reinserted.

9.3.8 Checking

After carrying out care and maintenance, check that all protective and safety devices are fitted and that they function faultlessly.

NOTE

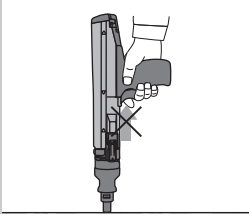
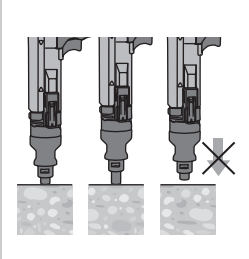
The tool can be checked, as follows, to determine whether it is ready to fire: Press the nose of the unloaded tool (i.e. no cartridges or fastener in the tool) firmly against a hard surface and pull the trigger. A clearly heard click from the trigger mechanism indicates that the tool was ready to fire.

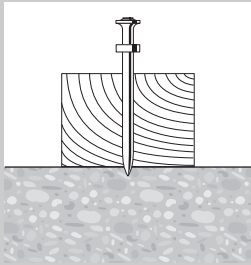
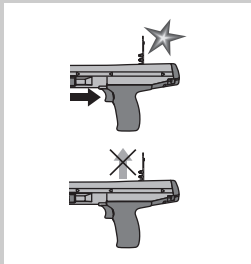


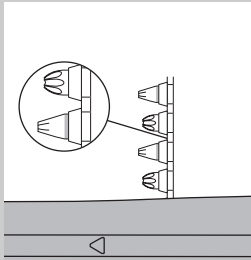
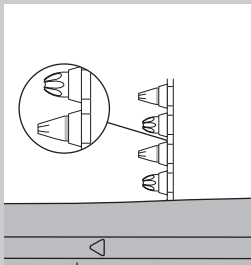
en

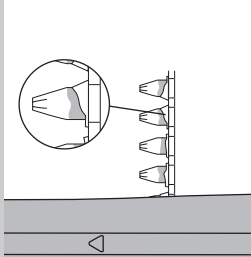
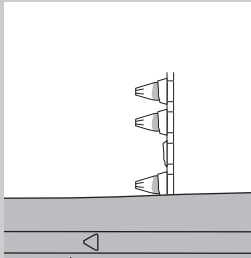
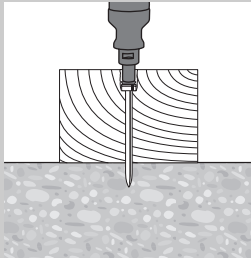
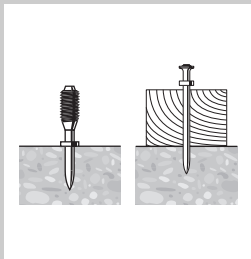
10 Troubleshooting

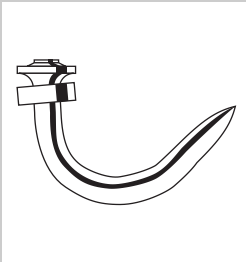
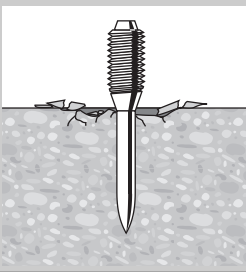
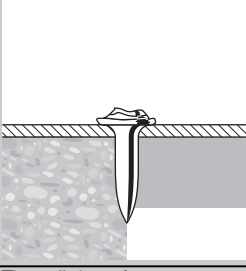
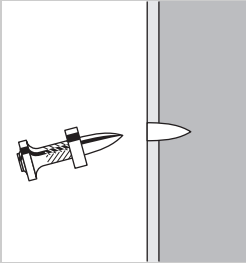
WARNING

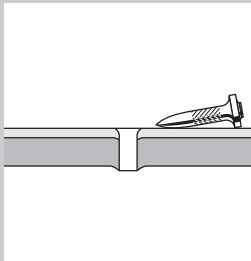
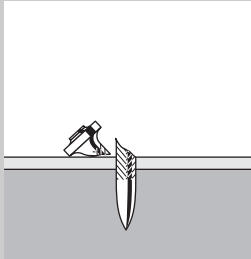
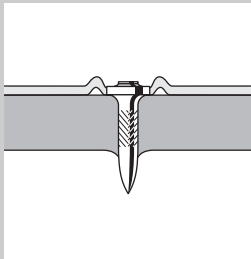
The tool must be unloaded before taking any steps to remedy faults.

Fault	Possible cause	Remedy
Higher force required to cycle the tool.	Build-up of combustion residues.	Service the tool (see 9.3)
Higher force required to press the tool against the surface.	Build-up of combustion residues.	Service the tool (see 9.3)
Trigger resistance increases.	Build-up of combustion residues.	Service the tool (see 9.3)
Stiff movement of power regulation wheel.	Build-up of combustion residues.	Service the tool (see 9.3)
The cartridge strip is difficult to remove.	Build-up of combustion residues.	Service the tool (see 9.3)
The tool cannot be fired.	The tool is not cycled. The cartridge has already been fired.	Cycle the tool (see 8.5) Remove the used cartridge and load an unused cartridge.
	The tool was not pressed fully against the working surface.	Press the tool fully against the working surface.
	Tool jams.	The tool needs to be cleaned.
	The piston is damaged.	Check the piston (see 9.3.2) and replace it if necessary.
	The tool is damaged.	If the problem persists, contact your local Hilti Center.

Fault	Possible cause	Remedy
<p>Misfire: the fastener is only partly driven into the base material.</p> 	<p>The piston was in the wrong position.</p>	<p>Remove the cartridge strip and cycle the tool. See section: 8.5 Cycling the tool 6</p>
<p>The cartridge strip doesn't advance.</p> 	<p>Bad cartridges.</p>	<p>Change the cartridge strip (use a different / dry package if necessary). If the problem persists: service the tool (see 9.3)</p>
<p>The cartridge strip doesn't advance.</p>	<p>The cartridge strip is damaged.</p>	<p>Change the cartridge strip.</p>
	<p>The tool needs to be cleaned.</p>	<p>Clean the tool.</p>
<p>The cartridge strip cannot be removed.</p> 	<p>The tool is damaged.</p>	<p>If the problem persists, contact your local Hilti Center.</p>
<p>The cartridge strip cannot be removed.</p>	<p>The tool has overheated.</p>	<p>Allow the tool to cool down. Subsequently, carefully remove the cartridge strip from the tool. WARNING Do not attempt to forcibly remove cartridges from the magazine strip or tool. If the problem persists, contact your local Hilti Center.</p>
<p>A cartridge doesn't fire.</p> 	<p>Bad cartridge.</p>	<p>Pull the cartridge strip through to the next cartridge.</p>
	<p>The tool needs to be cleaned.</p>	<p>Servicing the tool WARNING Check that the correct cartridges are used and that they are in faultless condition. See section: 9.3 Servicing the tool If the tool cannot be disassembled, contact your local Hilti Center.</p>

Fault	Possible cause	Remedy
<p>The cartridge strip melts.</p> 	<p>The tool is pressed against the working surface for too long before firing.</p> <p>The fastener driving rate is too high.</p>	<p>Fire the tool sooner after pressing it against the working surface. Remove the cartridge strip.</p> <p>Stop using the tool immediately. Remove the cartridge strip and allow the tool to cool.</p> <p>WARNING Do not attempt to forcibly remove cartridges from the magazine strip or tool. Clean the tool and remove any loose cartridges. If the tool cannot be disassembled contact your local Hilti Center.</p>
<p>A cartridge detaches itself from the cartridge strip.</p> 	<p>The fastener driving rate is too high.</p>	<p>Stop using the tool immediately. Remove the cartridge strip and allow the tool to cool.</p> <p>WARNING Do not attempt to forcibly remove cartridges from the magazine strip or tool. Clean the tool and remove any loose cartridges. If the tool cannot be disassembled contact your local Hilti Center.</p>
<p>The piston gets stuck in the base material / fastener is driven too deeply.</p> 	<p>The fastener is too short.</p> <p>The fastener has no washer.</p> <p>Driving power is too high.</p>	<p>Use a longer fastener.</p> <p>Use a fastener with washer for applications on wood.</p> <p>Reduce driving power (adjust the power regulating wheel). Use a less powerful cartridge.</p>
<p>The fastener is not driven deeply enough.</p> 	<p>The fastener is too long.</p> <p>Driving power is too low.</p>	<p>Use a shorter fastener.</p> <p>NOTE Observe the min. fastener driving depth requirements. Obtain a copy of the Fastening Technology Manual from your local Hilti Center.</p> <p>Increase driving power (adjust power regulating wheel). Use a more powerful cartridge.</p>

Fault	Possible cause	Remedy
<p>The nail bends.</p> 	<p>Hard surface (steel, concrete)</p> <hr/> <p>Hard and/or large aggregates in the concrete.</p> <hr/> <p>A rebar is located just below the concrete surface.</p>	<p>Increase driving power (adjust power regulating wheel).</p> <hr/> <p>Use a more powerful cartridge. Use the DX-Kwik method (predrilling).</p> <hr/> <p>Use a shorter nail. Use a nail with a higher application limit. Use the DX-Kwik method (predrilling). Drive the fastener at a different position.</p>
<p>Concrete spalling.</p> 	<p>Hard/old concrete.</p> <hr/> <p>Hard and/or large aggregates in the concrete.</p>	<p>Use a shorter nail.</p> <hr/> <p>Use a more powerful cartridge. Use the DX-Kwik method (predrilling).</p>
<p>Damaged nail head.</p> 	<p>Driving power is too high.</p> <hr/> <p>Application limit exceeded (very hard material).</p> <hr/> <p>The piston is damaged.</p>	<p>Reduce driving power (adjust the power regulating wheel). Use a less powerful cartridge.</p> <hr/> <p>Use a nail with a higher application limit.</p> <hr/> <p>Change the piston.</p>
<p>The nail doesn't penetrate deeply enough.</p> 	<p>Driving power is too low.</p> <hr/> <p>Application limit exceeded (very hard material).</p> <hr/> <p>The system is unsuitable.</p>	<p>Increase driving power (adjust power regulating wheel). Use a more powerful cartridge.</p> <hr/> <p>Use a nail with a higher application limit.</p> <hr/> <p>Use a more powerful system, e.g. DX 76 (PTR).</p>

Fault	Possible cause	Remedy
<p>The nail doesn't hold in the base material.</p> 	Thin steel base material (< 4 mm)	<p>Use a different power setting or different cartridge power level.</p> <p>Use a nail suitable for thin steel base material.</p>
<p>Nail breakage.</p> 	<p>Driving power is too low.</p> <hr/> <p>Application limit exceeded (very hard material).</p>	<p>Increase driving power (adjust power regulating wheel).</p> <p>Use a more powerful cartridge.</p> <hr/> <p>Use a shorter nail.</p> <p>Use a nail with a higher application limit.</p>
<p>The head of the nail punches through the material fastened (sheet metal).</p> 	Driving power is too high.	<p>Reduce driving power (adjust the power regulating wheel)</p> <p>Use a less powerful cartridge.</p> <p>Use a nail with a "top hat".</p> <p>Use a nail with a washer.</p>

11 Disposal



Most of the materials from which Hilti tools or appliances are manufactured can be recycled. The materials must be correctly separated before they can be recycled. In many countries, Hilti has already made arrangements for taking back old tools and appliances for recycling. Ask Hilti customer service or your Hilti representative for further information.

12 Manufacturer's warranty - tools

Hilti warrants that the tool supplied is free of defects in material and workmanship. This warranty is valid so long as the tool is operated and handled correctly, cleaned and serviced properly and in accordance with the Hilti Operating Instructions, and the technical system is maintained. This means that only original Hilti consumables, components and spare parts, or other products of equivalent quality, may be used in the tool.

This warranty provides the free-of-charge repair or replacement of defective parts only over the entire lifespan of the tool. Parts requiring repair or replacement as a result of normal wear and tear are not covered by this warranty.

Additional claims are excluded, unless stringent national rules prohibit such exclusion. In particular, Hilti is not obligated for direct, indirect, incidental or consequential damages, losses or expenses in connection with, or by reason of, the use of, or inability to use the tool for any purpose. Implied warranties of merchantability or fitness for a particular purpose are specifically excluded.

For repair or replacement, send the tool or related parts immediately upon discovery of the defect to the address of the local Hilti marketing organization provided.

This constitutes Hilti's entire obligation with regard to warranty and supersedes all prior or contemporaneous comments and oral or written agreements concerning warranties.

13 EC declaration of conformity (original)

Designation:	Powder-actuated fastening tool
Type:	DX 36
Generation:	01
Year of design:	1986

We declare, on our sole responsibility, that this product complies with the following directives and standards: 2006/42/EC, 2011/65/EU.

**Hilti Corporation, Feldkircherstrasse 100,
FL-9494 Schaan**



Norbert Wohlwend
Head of Quality & Processes Management
BU Direct Fastening
04/2013



Tassilo Deinzer
Head BU Measuring Systems
BU Measuring Systems
04/2013

Technical documentation filed at:

Hilti Entwicklungsgesellschaft mbH
Zulassung Elektrowerkzeuge
Hiltistrasse 6
86916 Kaufering
Deutschland

14 Confirmation of CIP testing

The following applies to C.I.P. member states outside the EU and EFTA judicial area: The Hilti DX 36 has been system and type tested. As a result, the tool bears the rectangular PTB approval mark showing approval number S 801. Hilti thus guarantees compliance with the ap-

proved type. Unacceptable defects or deficiencies, etc. determined during use of the tool must be reported to the person responsible at the approval authority (PTB) and to the Office of the Permanent International Commission (C.I.P.).

15 Health and safety of the operator

15.1 Noise information

Powder-actuated fastening tool

Type	DX 36
Model	Series
Caliber	6.8/11 yellow
Power regulation	3
Application	Fastening 20 mm laminated wood to concrete (C40) with the X-U47 P8

en

Declared measured values of noise characteristics according to 2006/42/EC Machinery Directive in conjunction with DIN EN 15895

Noise (power) level, $L_{WA, 1s}^1$	103 dB (A)
Emission noise-pressure level in the work station, $L_{pA, 1s}^2$	100 dB (A)
Peak sound pressure emission level, $L_{pC, peak}^3$	133 dB (C)

¹ ± 2 dB (A)
² ± 2 dB (A)
³ ± 2 dB (C)

Operation and set-up conditions: Set-up and operation of the pin driver in accordance with E DIN EN 15895-1 in the semi-anechoic test room of Müller-BBM GmbH. The ambient conditions in the test room conform to DIN EN ISO 3745.

Testing procedure: Enveloping surface method in anechoic room on reflective surface area in accordance with E DIN EN 15895, DIN EN ISO 3745 and DIN EN ISO 11201.

NOTE The noise emissions measured and the associated measurement uncertainty represent the upper limit for the noise values to be expected during the measurements.

Variations in operating conditions may cause deviations from these emission values.

15.2 Vibration

Total vibration in accordance with 2006/42/EC does not exceed 2.5 m/s².

Further information about user health and safety can be found at www.hilti.com/hse.



Hilti Corporation

LI-9494 Schaan

Tel.: +423 / 234 21 11

Fax: +423 / 234 29 65

www.hilti.com

Hilti = registered trademark of Hilti Corp., Schaan

W 1698 | 0314 | 00-Pos. 1 | 1

Printed in China © 2014

Right of technical and programme changes reserved S. E. & O.

2064672 / A4



2064672