

# HILTI

## SI 100

Operating instructions

[en](#)

Mode d'emploi

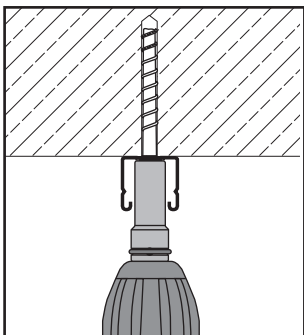
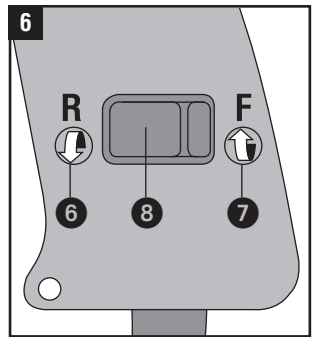
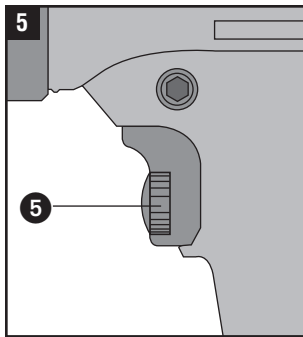
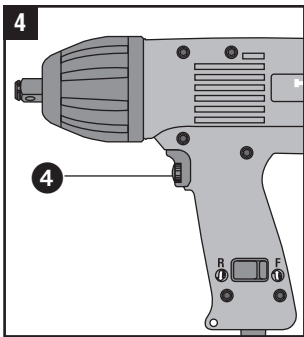
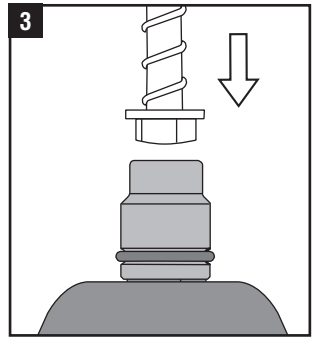
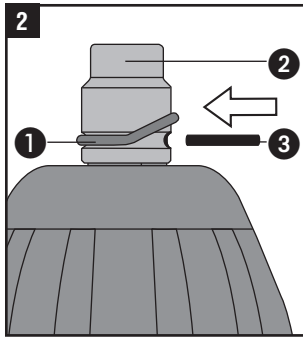
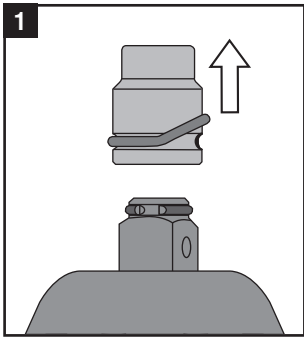
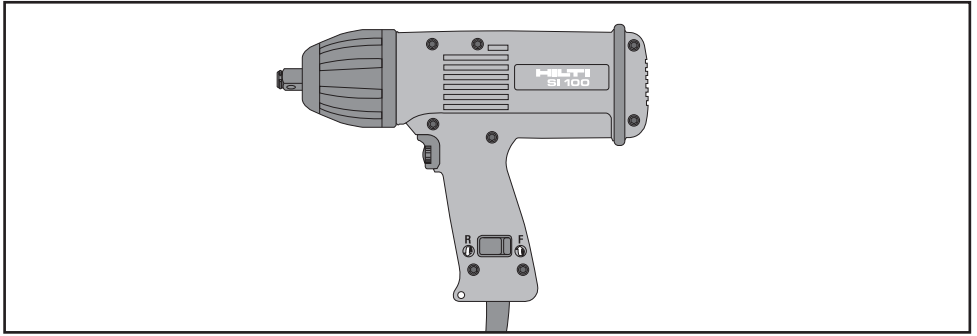
[fr](#)

Manual de instrucciones

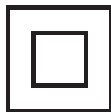
[es](#)

Manual de instruções

[pt](#)



This Product is Certified  
 Ce produit est homologué  
 Producto homologado por  
 Este produto está registrado



Double insulation



Always wear safety glasses



Always wear protective gloves



Always wear ear protectors



Wear respiratory protection when the work causes dust

Double isolation

Porter des lunettes de protection.

Porter des gants de sécurité.

Porter un casque antibruit.

Pour les travaux produisant de la poussière, porter un masque respiratoire.

Doble aislamiento

Gafas de seguridad

Guantes de seguridad

Protección auditiva

Protección respiratoria en trabajos que produzcan polvo

Duplo isolamento

Use sempre óculos de segurança

Use sempre luvas de proteção

Use sempre fones de proteção para os ouvidos

Use máscaras respiratórias para se proteger da poeira

## ORIGINAL OPERATING INSTRUCTIONS

# SI 100 Impact Screwdriver

- Always read these operating instructions prior to using the SI 100.
- Always keep these operating instructions with the electric tool.
- Any time the SI 100 is provided to another person, always include these operating instructions with the tool.
- Don't use this electric tool in any way other than described in the operating instructions.


### Operating controls and component parts


- 1 O-ring
- 2 Nut setter socket
- 3 Retaining pin
- 4 Electronic switch for smooth starting
- 5 Speed and torque presetting wheel
- 6 Counter-clockwise rotation
- 7 Clockwise rotation
- 8 Reversing switch


### Contents

General information	1
Description	2
Technical data	2
Anchor products / suitable tools	2
Connection to main supply	3
Safety rules	3
Operating instructions	5
Maintenance	6
Manufacturer's warranty – tools	6

### General information

 In these operating instructions, this symbol indicates points of particular importance to safety. The instructions at these points must always be observed in order to **help** avoid the risk of serious injury.

 **Warning – Risk of electric shock.**  
In this operating instructions, this symbol warns hazards as a result of electrical current. The instructions at these points must always be followed in order to reduce the risk of serious injury or damages to property.

 The numbers refer to the illustrations. The illustrations can be found on the fold-out cover pages. Keep these pages open while you read the operating instructions.

In these operating instructions, the electric tool to which these operating instructions apply is referred to as “the tool”.

### Obligation signs



Wear eye protection



Wear a hard hat



Wear ear protection



Wear protective gloves



Wear breathing protection

### Warning signs



General warning



Warning: electricity

### Symbols

V

Volts

A

Amps

Hz

Hertz



Alternating current

$n_0$

Nominal stroke rate under no load

/min

Revolutions per minute



Read the operating instructions before use



Double insulated



Return waste material for recycling

## Description

The SI 100 impact screwdriver is an electric tool.

### Recommended screwdriver usage:

- Driving Hilti screw anchors of the HUS-H<sup>3/8</sup> size and larger into concrete of C20 to C50 grade and removing them in accordance with the manufacturer's recommendations. The HUS 7.5 size may not be screwed in.
- Driving screws into Hilti HRD framing anchors in accordance with the manufacturer's recommendations.

**Extension Cords.** Make sure your extension cord is in good condition. When using an extension cord, be sure to use one heavy enough to carry the current your product will draw. An undersized cord will cause a

drop in line voltage resulting in loss of power and overheating. The following table shows the correct size to use depending on cord length and nameplate ampere rating. If in doubt, use the next heavier gage. The smaller the gage number, the heavier the cord.

### Extension Cord Table

Volts	Total Length of Cord in Feet			
	0–25	26– 50	51–100	101–150
120 V				
240 V	0–50	51–100	101–200	201–300

### Ampere Rating      AWG

More Than		Not More Than			
0	6	18	16	16	14
6	10	18	16	14	12
10	12	16	16	14	12
12	16	14	12	Not recommended	

## Technical data

Rated voltage:	120 V
Rated current:	6.0 A
Mains frequency:	60 Hz
No-load speed:	0–2200 /min.
Impact speed:	Max. 2600 impacts/min.
Clockwise / counter-clockwise rotation:	Performance identical
Chuck:	1/2" square pin with retaining pin
Screwdriver weight without supply cord:	5 lbs
Max. tightening torque:	100 Nm / 74 ft. lbs
Double insulation, class II	


Right of technical modifications reserved

## Anchor products / suitable setting tools

Setting tools	Anchor products	HUS-H <sup>3/8</sup> HUS-H <sup>1/2</sup>	HRD-U10/HRD-S10/ HRD-U14
Socket wrench insert S-NSD 9/16 1/2 L		●	
Socket wrench insert S-NSD 1/2 1/2 L		●	
Socket wrench insert S-NSD 9/16 1/2		●	
Socket wrench insert S-NSD 1/2 1/2		●	
Socket wrench insert S-NSD 13 1/2			●
Socket wrench insert S-NSD 17 1/2			●
Bit holder S-BHU 50 1/2 x 1/4		●	●
Bit S-B-TX 40T			●
Bit S-B-TX 40			●
Bit S-B-TX 50			●
Extensions S-V125 1/2 x 1/2		●	●

Anchor products other than the above-mentioned may not be driven in with or tightened by the SI 100 impact screwdriver.

# Connection to main supply

This electric screwdriver may only be connected to a main electric supply complying with the data on the nameplate and it will only operate on a single-phase, a.c. electric supply. This screwdriver is double insulated  and the plug will fit in a polarized outlet without grounding connection.

## Safety rules

### 1.1 General Power Tool Safety Warnings



**WARNING! Read all safety warnings and all instructions.** Failure to follow the warnings and instructions may result in electric shock, fire and/or serious injury. **Save all warnings and instructions for future reference.** The term “power tool” in the warnings refers to your mains-operated (corded) power tool or battery-operated (cordless) power tool.

#### 1.1.1 Work area safety

- a) **Keep work area clean and well lit.** Cluttered or dark areas invite accidents.
- b) **Do not operate power tools in explosive atmospheres, such as in the presence of flammable liquids, gases or dust.** Power tools create sparks which may ignite the dust or fumes.
- c) **Keep children and bystanders away while operating a power tool.** Distractions can cause you to lose control.

#### 1.1.2 Electrical safety

- a) **Power tool plugs must match the outlet. Never modify the plug in any way. Do not use any adapter plugs with earthed (grounded) power tools.** Unmodified plugs and matching outlets will reduce risk of electric shock.
- b) **Avoid body contact with earthed or grounded surfaces such as pipes, radiators, ranges and refrigerators.** There is an increased risk of electric shock if your body is earthed or grounded.
- c) **Do not expose power tools to rain or wet conditions.** Water entering a power tool will increase the risk of electric shock.
- d) **Do not abuse the cord. Never use the cord for carrying, pulling or unplugging the power tool. Keep cord away from heat, oil, sharp edges or moving parts.** Damaged or entangled cords increase the risk of electric shock.
- e) **When operating a power tool outdoors, use an extension cord suitable for outdoor use.** Use of a cord suitable for outdoor use reduces the risk of electric shock.
- f) **If operating a power tool in a damp location is unavoidable, use a residual current device (RCD) protected supply.** Use of an RCD reduces the risk of electric shock.

#### 1.1.3 Personal safety

- a) **Stay alert, watch what you are doing and use common sense when operating a power tool. Do not use a power tool while you are tired or under the influence of drugs, alcohol or medication.** A moment of inattention while operating power tools may result in serious personal injury.
- b) **Use personal protective equipment. Always wear eye protection.** Protective equipment such as dust mask, non-skid safety shoes, hard hat, or hearing protection used for appropriate conditions will reduce personal injuries.
- c) **Prevent unintentional starting. Ensure the switch is in the off-position before connecting to power source and/or battery pack, picking up or carrying the tool.** Carrying power tools with your finger on the switch or energising power tools that have the switch on invites accidents.
- d) **Remove any adjusting key or wrench before turning the power tool on.** A wrench or a key left attached to a rotating part of the power tool may result in personal injury.
- e) **Do not overreach. Keep proper footing and balance at all times.** This enables better control of the power tool in unexpected situations.
- f) **Dress properly. Do not wear loose clothing or jewellery. Keep your hair, clothing and gloves away from moving parts.** Loose clothes, jewellery or long hair can be caught in moving parts.
- g) **If devices are provided for the connection of dust extraction and collection facilities, ensure these are connected and properly used.** Use of dust collection can reduce dust-related hazards.

#### 1.1.4 Power tool use and care

- a) **Do not force the power tool. Use the correct power tool for your application.** The correct power tool will do the job better and safer at the rate for which it was designed.
- b) **Do not use the power tool if the switch does not turn it on and off.** Any power tool that cannot be controlled with the switch is dangerous and must be repaired.
- c) **Disconnect the plug from the power source and/or the battery pack from the power tool before making any adjustments, changing accessories, or storing power tools.** Such preventive safety measures reduce the risk of starting the power tool accidentally.
- d) **Store idle power tools out of the reach of children and do not allow persons unfamiliar with the power tool or these instructions to operate the power tool.** Power tools are dangerous in the hands of untrained users.
- e) **Maintain power tools. Check for misalignment or binding of moving parts, breakage of parts and any other condition that may affect the power tool's operation. If damaged, have the power tool repaired before use.** Many accidents are caused by poorly maintained power tools.

- f) **Keep cutting tools sharp and clean.** Properly maintained cutting tools with sharp cutting edges are less likely to bind and are easier to control.
- g) **Use the power tool, accessories and tool bits etc. in accordance with these instructions, taking into account the working conditions and the work to be performed.** Use of the power tool for operations different from those intended could result in a hazardous situation.

### 1.1.5 Service

- a) **Have your power tool serviced by a qualified repair person using only identical replacement parts.** This will ensure that the safety of the power tool is maintained.

## 1.2 Impact Screwdriver Safety Warnings

### 1.2.1 Personal safety

- a) **Hold power tool by insulated gripping surfaces, when performing an operation where the fastener may contact hidden wiring or its own cord.** Fasteners contacting a "live" wire may make exposed metal parts of the power tool "live" and could give the operator an electric shock.
- b) **Wear ear protectors.** Exposure to noise can cause hearing loss.
- c) **Keep the grips dry, clean and free from oil and grease.**
- d) **Improve the blood circulation in your fingers by relaxing your hands and exercising your fingers during breaks between working.**
- e) **Avoid touching rotating parts. Switch the power tool on only after bringing it into position at the workpiece.** Touching rotating parts, especially rotating drill bits, discs or blades, etc. may lead to injury.
- f) **Always lead the supply cord and extension cord away from the power tool to the rear while working.** This helps to avoid tripping over the cord while working.
- g) **Polarized Plugs.** To reduce the risk of electric shock, this equipment has a polarized plug (one blade is wider than the other). This plug will fit in a polarized outlet only one way. **If the plug does not fit fully in the outlet, reverse the plug. If it still does not fit, contact a qualified electrician to install the proper outlet. Do not change the plug in any way.**
- h) **Check Damaged Parts.** Before further use of the tool, a guard or other part that is damaged should be carefully checked to determine that it will operate properly and perform its intended function. Check for alignment of moving parts, binding of moving parts, breakage of parts, mounting, and any other conditions that may affect its operation. A guard or other part that is damaged should be properly repaired or replaced by an authorized service center unless otherwise indicated elsewhere in this instruction manual. Have defective switches replaced by authorized service center. **Do not use tool if switch does not turn it on and off.**

- i) **Put the screw anchor into the socket wrench insert only just before driving it in. Keep an eye open for parts which might fall out during disassembly.**
- j) **Always make sure the rubber cover at the front of the housing is properly fitted.**
- k) **Prior to pressing the electronic trigger switch, make sure that the tool is in the working position.**
- l) **Wear protective gloves when changing insert tools as the insert tool will get hot during use.**
- m) **The tool is not intended for use by children, by debilitated persons or those who have received no instruction or training.**
- n) **Children must be instructed not to play with the tool.**

### 1.2.2 Power tool use and care

- a) **Secure the workpiece. Use clamps or a vice to secure the workpiece.** The workpiece is thus held more securely than by hand and both hands remain free to operate the power tool.
- b) **Check that the insert tools used are compatible with the chuck system and that they are secured in the chuck correctly.**
- c) **Switch the power tool off and unplug the supply cord in the event of a power failure or interruption in the electric supply. This will prevent accidental restarting when the electric power returns.**

### 1.2.3 Electrical safety



- a) **Before beginning work, check the working area (e.g. using a metal detector) to ensure that no concealed electric cables or gas and water pipes are present.** External metal parts of the power tool may become live, for example, when an electric cable is damaged accidentally. This presents a serious risk of electric shock.
- b) **Check the power tool's supply cord at regular intervals and have it replaced by a qualified specialist if found to be damaged. Check extension cords at regular intervals and replace them if found to be damaged. Do not touch the supply cord or extension cord if it is damaged while working. Disconnect the supply cord plug from the power outlet. Damaged supply cords or extension cords present a risk of electric shock.**
- c) **When working outdoors with an electric tool check to ensure that the tool is connected to the electric supply by way of a ground fault circuit interrupter (GFCI) with a rating of max. 30 mA (tripping current). Use of a ground fault circuit interrupter reduces the risk of electric shock.**
- d) **Use of a ground fault circuit interrupter (GFCI) with a maximum tripping current of 30 mA is recommended.**

### 1.2.4 Work area safety

- a) **Ensure that the workplace is well ventilated.** Exposure to dust at a poorly ventilated workplace may result in damage to the health.
- b) **WARNING: Some dust created by grinding, sanding, cutting and drilling contains chemicals known to cause cancer, birth defects, infertility or other reproductive harm; or serious and permanent respiratory or other injury.** Some examples of these chemicals are: lead from lead-based paints, crystalline silica from bricks, concrete and other masonry products and natural stone, arsenic and chromium from chemically-treated lumber. Your risk from these exposures varies, depending on how often you do this type of work. **To reduce exposure to these chemicals, the operator and bystanders should work in a well-ventilated area, work with approved safety equipment, such as respiratory protection appropriate for the type of dust generated, and designed to filter out microscopic particles and direct dust away from the face and body. Avoid prolonged contact with dust. Wear protective clothing and wash exposed areas with soap and water.** Allowing dust to get into your mouth, eyes, or to remain on your skin may promote absorption of harmful chemicals.

### 1.2.5 Personal protective equipment



- a) **The user and any other persons in the vicinity must wear ANSI Z87.1-approved eye protection, a hard hat, ear protection, protective gloves and breathing protection while the power tool is in use.**

## Operating instructions

### Selection of nut setter socket/bit holder/extension


Only use Hilti impact screwdriver nut setter socket S-NSD.

Use nut setter sockets with the same widths across flats as the screws being driven. Widths across flats not matching each other falsify the torque and damage the nut setter insert and the screw head.

Make sure that no foreign matter, such as small screws or nails, are held by magnetic socket wrench inserts in use when switching on the screwdriver.


### Attachment of nut setter socket/bit holder/extension

**1 2 3**

 Prior to attaching or removing the nut setter socket/bit holder/extension, make sure the screwdriver is switched off and its plug is pulled out of the electric supply socket (receptacle).

Remove the O-ring from the groove in the nut setter socket/bit holder/extension and pull out the retaining pin. Put the nut setter socket/bit holder/extension onto the square drive pin of the screwdriver. Align the bores in the square drive pin and nut setter/bit holder/extension to permit insertion of the retaining pin. Insert the retaining pin and replace the O-ring to secure the nut setter socket. Carry out these operations in the reverse order for disassembly. **The retaining pin for the nut setter socket/bit holder/extension must be fitted and secured before using the screwdriver.**

### Trigger switch **4**

 Prior to plugging the screwdriver into an electric supply, always check that the trigger switch works properly and returns to the OFF position when released. When switching on the screwdriver, press the electronic trigger switch. The r.p.m. increase with greater pressure on the switch. To switch off, release the switch.

### Speed and torque presetting wheel **5**

The speed, and thus also the torque, can be preselected by turning this wheel. The maximum speed and torque are set when the screwdriver is delivered.

### Reversing switch **6**

The direction of rotation can be changed with the reversing switch. Press the right-hand side of the switch for clockwise rotation (F) and the left-hand side for counter-clockwise rotation (R).



- Always check the direction of rotation before starting to work.
- Never change the direction of rotation while the motor is running. If you do, the screwdriver can be damaged.

Hold the screwdriver firmly and place the nut setter socket over the screw head or nut. Drive in the screw or tighten the nut, while judging the time required.

### Note:

- Hold the screwdriver perpendicular to the screw fastening. Don't apply excessive pressure.
- Avoid using too high a torque. This can damage the screw / nut-and-bolt fastening.

After driving a screw / tightening a nut, check for correct tightening using a torque wrench and, if necessary, retighten the fastening. The torque is influenced by various factors, such as:

### 1. Mains voltage

A drop in voltage / undervoltage reduces the preselected maximum torque / speed.

### 2. Nut setter socket

Incorrectly matched widths across flats of the nut setter socket and screw head / nut reduce the torque.

A worn nut setter socket (damaged hexagon head or square drive pin) reduces the torque.



### 3. Screws

For the same type of screw or fastening, the screw diameter governs the torque.

For the same screw diameter, the screw length and type of screw head determine the achievable torque.

### 4. Extensions

The use of extensions, link joints, etc. reduces the torque. This can be counteracted by driving the screw longer.

### 5. Base material

The way the screwdriver is used and the material being screwed into influence the torque.

In concrete base material (concrete screws), hole tolerance and different concrete strengths are responsible for different resistance to penetration.

It is recommended that trials be carried out with problematic screw fastenings on the jobsite.

## Maintenance



Prior to working on the screwdriver, make sure the switch is in the OFF position and the plug is pulled out of the electric supply socket / receptacle.

To keep this screwdriver safe and reliable, its maintenance, repair and adjustment should only be carried out by workshops or customer service centres authorised by Hilti which use only original Hilti spare parts.

### **-CAUTION-**

**Keep the power tool, especially its grip surfaces, clean and free from oil and grease. Do not use cleaning agents which contain silicone.**

The outer casing of the tool is made from impactresistant plastic. Sections of the grip are made from a synthetic rubber material. Never operate the tool when the ventilation slots are blocked. Clean the ventilation slots carefully using a dry brush. Do not permit foreign objects to enter the interior of the tool. Clean the outside of the tool at regular intervals with a slightly damp cloth. Do not use a spray, steam pressure cleaning equipment or running water for cleaning. This may negatively affect the electrical safety of the tool.

## Manufacturer's warranty – tools

Hilti warrants that the tool supplied is free of defects in material and workmanship. This warranty is valid so long as the tool is operated and handled correctly, cleaned and serviced properly and in accordance with the Hilti Operating Instructions, and the technical system is maintained. This means that only original Hilti consumables, components and spare parts may be used in the tool.

This warranty provides the free-of-charge repair or replacement of defective parts only over the entire lifespan of the tool. Parts requiring repair or replacement as a result of normal wear and tear are not covered by this warranty.

**Additional claims are excluded, unless stringent national rules prohibit such exclusion. In particular, Hilti is not obligated for direct, indirect, incidental or consequential damages, losses or expenses in connection with, or by reason of, the use of, or inability to use the tool for any purpose. Implied warranties of merchantability or fitness for a particular purpose are specifically excluded.**

For repair or replacement, send tool or related parts immediately upon discovery of the defect to the address of the local Hilti marketing organization provided.

This constitutes Hilti's entire obligation with regard to warranty and supersedes all prior or contemporaneous comments and oral or written agreements concerning warranties.

# Visseuse à percussion SI 100

- Avant de mettre en marche l'appareil, lire absolument le mode d'emploi.
- Le présent mode d'emploi doit toujours accompagner l'appareil.
- Ne prêter ou céder à l'appareil à quelqu'un d'autre qu'en lui fournissant aussi le mode d'emploi.
- Ne jamais utiliser l'appareil autrement que prescrit dans le présent mode d'emploi.


## Éléments constitutifs de l'appareil

- 1 Joint torique
- 2 Douille
- 3 Goupille de sécurité
- 4 Variateur électronique de vitesse avec démarrage en douceur
- 5 Molette de réglage pour présélection de la vitesse de rotation/du couple de serrage
- 6 Rotation à gauche
- 7 Rotation à droite
- 8 Inverseur du sens de rotation

## Sommaire

Consignes générales	7
Description	8
Caractéristiques techniques	8
Tableau de correspondance chevilles/outils de pose	8
Branchement sur secteur	9
Consignes de sécurité	9
Utilisation	11
Entretien	12
Garantie constructeur des appareils	12

## Consignes générales

 Les symboles utilisés dans le présent mode d'emploi caractérisent des consignes particulièrement importantes pour la sécurité. Toujours suivre ces consignes pour éviter tous risques de blessures graves.

 **Avertissement – risques d'électrocution!**

Le symbole utilisé dans le présent mode d'emploi avertit des risques dus au courant électrique. Toujours suivre ces consignes pour éviter tous risques de blessures graves ou de dommages matériels.

**I** Les chiffres renvoient à des illustrations. Les illustrations correspondant au texte se trouvent sur les pages rabattables précédentes. Pour lire le mode d'emploi, rabattre ces pages de manière à voir les illustrations.

Dans le texte du présent mode d'emploi, le terme «appareil» désigne toujours la SI 100.

## Symboles d'obligation



Porter des lunettes de protection

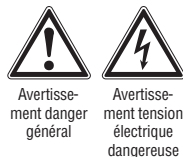
Porter un casque de protection

Porter un casque antibruit

Porter des gants de protection

Porter un masque respiratoire léger

## Symboles d'avertissement



Avertissement danger général

Avertissement tension électrique dangereuse

## Symboles

V

Volt

A

Ampère

Hz

Hertz



Courant alternatif

$n_0$

Vitesse nominale à vide

/min

Tours par minute



Lire le mode d'emploi avant d'utiliser l'appareil



Double isolation



Recycler les déchets

## Description

La visseuse à percussion SI 100 est un appareil électroportatif.

### Applications conseillées de l'appareil:

- Vissages et dévissages de vis d'ancrage HUS-H<sup>3/8</sup> Hilti et de vis plus grosses dans du béton C20 à C50, conformément aux recommandations du fabricant (le vis HUS 7.5 ne doivent pas être vissées!).
- Vissages de chevilles pour maçonnerie HRD Hilti conformément aux recommandations du fabricant.

**Prolongateurs.** Vous assurer que votre prolongateur est en bon état. Utiliser un prolongateur suffisamment gros pour transporter le courant qui entraînera votre appareil. Si le cordon est sous-dimensionné, il risque de provoquer une chute de tension se tradui-

sant par une perte de puissance et une surchauffe. Le tableau ci-après montre les dimensions correctes du prolongateur à utiliser suivant la longueur du cordon et l'ampérage de la plaquette. En cas de doute, utiliser la dimension immédiatement supérieure. Plus la dimension est petite, plus le cordon doit être gros.

### Tableau des longueurs de cordons

Volts	Longueur totale de cordon en pieds			
120 V	0-25	26- 50	51-100	101-150
240 V	0-50	51-100	101-200	201-300

### Ampérage Grosseur de fil

Plus de	Pas plus de				
0	6	18	16	16	14
6	10	18	16	14	12
10	12	16	16	14	12
12	16	14	12	Déconseillé	

## Caractéristiques techniques

Tension nominale: *	120 V
Intensité nominale: *	6,0 A
Fréquence du secteur:	60 Hz
Vitesse de rotation à vide:	0-2200 /min.
Cadence de percussion max.:	2600 coups/mn
Rotation à droite/à gauche:	avec la même puissance
Porte-outil:	1/2" carré ext. avec blocage par goupille
Poids de l'appareil sans le cordon:	5 lbs
Couple de serrage max.:	100 Nm / 74 ft. lbs
Classe de protection II:	

Sous réserve de toutes modifications techniques

## Tableau de correspondance chevilles/outils de pose

Outils de pose	Chevilles:	HUS-H <sup>3/8</sup> HUS-H <sup>1/2</sup>	HRD-U10/HRD-S10/ HRD-U14
	Douille S-NSD 9/16 1/2 L		●
Douille S-NSD 1/2 1/2 L		●	
Douille S-NSD 9/16 1/2		●	
Douille S-NSD 1/2 1/2		●	
Douille S-NSD 13/16			●
Douille S-NSD 17/16			●
Porte-embout S-BHU 50 1/2x1/4		●	●
Embout S-B-TX 40T			●
Embout S-B-TX 40			●
Embout S-B-TX 50			●
Rallonge S-V125 1/2x1/2		●	●

Toutes les autres chevilles que celles indiquées précédemment ne doivent pas être vissées ni serrées avec la visseuse à percussion SI 100!

## Branchement sur secteur

L'appareil ne doit être branché qu'à la tension du secteur indiquée sur sa plaquette signalétique et ne fonctionne que sur courant alternatif monophasé. L'appareil présente une double isolation de protection  et la fiche à 3 broches peut d'adapter dans une prise sans fil de terre.

## Consignes de sécurité

### 1.1 Indications générales de sécurité pour les appareils électriques



**AVERTISSEMENT ! Lire et comprendre toutes les consignes de sécurité et instructions.** Le non-respect des consignes de sécurité et instructions indiquées ci-après peut entraîner un choc électrique, un incendie et / ou de graves blessures sur les personnes. **Les consignes de sécurité et instructions doivent être intégralement conservées pour les utilisations futures.** La notion d'« outil électroportatif » mentionnée dans les consignes de sécurité se rapporte à des outils électriques raccordés au secteur (avec câble de raccordement) et à des outils électriques à batterie (sans câble de raccordement).

#### 1.1.1 Place de travail

- Maintenez l'endroit de travail propre et bien éclairé.** Un lieu de travail en désordre ou mal éclairé augmente le risque d'accidents.
- N'utilisez pas l'appareil dans un environnement présentant des risques d'explosion et où se trouvent des liquides, des gaz ou poussières inflammables.** Les outils électroportatifs génèrent des étincelles risquant d'enflammer les poussières ou les vapeurs.
- Tenez les enfants et autres personnes éloignés durant l'utilisation de l'outil électroportatif.** En cas d'inattention vous risquez de perdre le contrôle de l'appareil.

#### 1.1.2 Sécurité relative au système électrique

- La fiche de secteur de l'outil électroportatif doit être appropriée à la prise de courant. Ne modifiez en aucun cas la fiche. N'utilisez pas de fiches d'adaptateur avec des appareils avec mise à la terre.** Les fiches non modifiées et les prises de courant appropriées réduisent le risque de choc électrique.
- Évitez le contact physique avec des surfaces mises à la terre tels que tuyaux, radiateurs, fours et réfrigérateurs.** Il y a un risque élevé de choc électrique au cas où votre corps serait relié à la terre.
- N'exposez pas l'outil électroportatif à la pluie ou à l'humidité.** La pénétration d'eau dans un outil électroportatif augmente le risque d'un choc électrique.
- N'utilisez pas le câble à d'autres fins que celles prévues, n'utilisez pas le câble pour porter l'appareil ou pour l'accrocher ou encore pour le débrancher de la prise de courant. Maintenez le câble**

**éloigné des sources de chaleur, des parties grasses, des bords tranchants ou des parties de l'appareil en rotation.** Un câble endommagé ou torsadé augmente le risque d'un choc électrique.

- Au cas où vous utiliseriez l'outil électroportatif à l'extérieur, utilisez une rallonge autorisée homologuée pour les applications extérieures.** L'utilisation d'une rallonge électrique homologuée pour les applications extérieures réduit le risque d'un choc électrique.
- Si l'utilisation de l'outil électroportatif dans un environnement humide ne peut pas être évitée, un interrupteur de protection contre les courants de court-circuit doit être utilisé.** L'utilisation d'un tel interrupteur de protection réduit le risque d'une décharge électrique.

#### 1.1.3 Sécurité des personnes

- Restez vigilant, surveillez ce que vous faites. Faites preuve de bon en utilisant l'outil électroportatif. N'utilisez pas l'appareil lorsque vous êtes fatigué ou après avoir consommé de l'alcool, des drogues ou avoir pris des médicaments.** Un moment d'inattention lors de l'utilisation de l'appareil peut entraîner de graves blessures sur les personnes.
- Portez des équipements de protection. Portez toujours des lunettes de protection.** Le fait de porter des équipements de protection personnels tels que masque anti-poussière, chaussures de sécurité antidérapantes, casque de protection ou protection acoustique suivant le travail à effectuer, réduit le risque de blessures.
- Évitez une mise en service par mégarde. S'assurer que l'outil électroportatif est arrêté avant de le brancher à la source de courant et/ou au bloc-accu, de le prendre ou de le porter.** Le fait de porter l'outil électroportatif avec le doigt sur l'interrupteur ou de brancher l'appareil sur la source de courant lorsque l'interrupteur est en position de fonctionnement, peut entraîner des accidents.
- Enlevez tout outil de réglage ou toute clé avant de mettre l'appareil en fonctionnement.** Une clé ou un outil se trouvant sur une partie en rotation peut causer des blessures.
- Ne surestimez pas vos capacités. Veillez à garder toujours une position stable et équilibrée.** Ceci vous permet de mieux contrôler l'appareil dans des situations inattendues.
- Portez des vêtements appropriés. Ne portez pas de vêtements amples ni de bijoux. Maintenez cheveux, vêtements et gants éloignés des parties de l'appareil en rotation.** Des vêtements amples, des bijoux ou des cheveux longs peuvent être happés par des pièces en mouvement.
- Si des dispositifs servant à aspirer ou à recueillir les poussières doivent être utilisés, vérifiez que ceux-ci sont effectivement raccordés et qu'ils sont correctement utilisés.** L'utilisation d'un dispositif d'aspiration peut engendrer un risque à cause des poussières.

### 1.1.4 Utilisation et emploi soigneux de l'outil électroportatif

- a) **Ne surchargez pas l'appareil. Utilisez l'outil électroportatif approprié au travail à effectuer.** Avec l'outil électroportatif approprié, vous travaillerez mieux et avec plus de sécurité à la vitesse pour laquelle il est prévu.
- b) **N'utilisez pas un outil électroportatif dont l'interrupteur est défectueux.** Un outil électroportatif qui ne peut plus être mis en ou hors fonctionnement est dangereux et doit être réparé.
- c) **Retirer la fiche de la prise de courant et/ou le bloc-accu de l'appareil avant d'effectuer des réglages sur l'appareil, de changer les accessoires, ou de ranger l'appareil.** Cette mesure de précaution empêche une mise en fonctionnement par mégarde.
- d) **Gardez les outils électroportatifs non utilisés hors de portée des enfants. Ne permettez pas l'utilisation de l'appareil à des personnes qui ne se sont pas familiarisées avec celui-ci ou qui n'ont pas lu ces instructions.** Les outils électroportatifs sont dangereux lorsqu'ils sont utilisés par des personnes non initiées.
- e) **Prenez soin des outils électroportatifs. Vérifiez que les parties en mouvement fonctionnent correctement et qu'elles ne soient pas coincées, et contrôlez si des parties sont cassées ou endommagées de telle sorte que le bon fonctionnement de l'appareil s'en trouve entravé. Faites réparer les parties endommagées avant d'utiliser l'appareil.** De nombreux accidents sont dus à des outils électroportatifs mal entretenus.
- f) **Maintenez les outils de coupe aiguisés et propres.** Des outils soigneusement entretenus avec des bords tranchants bien aiguisés se coincent moins souvent et peuvent être guidés plus facilement.
- g) **L'outil électroportatif, les accessoires, les outils à monter, etc. doivent être utilisés conformément à ces instructions. Tenez compte également des conditions de travail et du travail à effectuer.** L'utilisation des outils électroportatifs à d'autres fins que celles prévues peut entraîner des situations dangereuses.

### 1.1.5 Service

- a) **Ne faites réparer l'outil électroportatif que par un personnel qualifié et seulement avec des pièces de rechange d'origine.** Ceci permet d'assurer la sécurité de l'appareil.

## 1.2 Sécurité pour les visseuses à percussion

### 1.2.1 Sécurité des personnes

- a) **Tenir fermement l'outil électroportatif uniquement par les surfaces de préhension isolées pour procéder à des travaux lors desquels l'élément de fixation risque de toucher des câbles ou gaines électriques cachés ou son propre câble d'alimentation.** En cas de contact des éléments de fixation avec un câble conducteur, les pièces métalliques non isolées de l'ou-

til électroportatif sont mises sous tension et l'utilisateur reçoit un choc électrique.

- b) **Porter un casque antibruit.** Le bruit peut entraîner des pertes auditives.
- c) **Essuyer les poignées, enlever toutes traces de graisse et d'huile.**
- d) **Faire régulièrement des pauses et des exercices de relaxation et de massage des doigts pour favoriser l'irrigation sanguine dans les doigts.**
- e) **Éviter de toucher des pièces en rotation. Brancher l'appareil uniquement dans l'espace de travail.** Le fait de toucher des pièces en rotation, en particulier des outils en rotation, risque d'entraîner des blessures.
- f) **Pendant le travail, toujours tenir le câble d'alimentation réseau et de rallonge à l'arrière de l'appareil.** Ceci permet d'éviter tout risque de chute en trébuchant sur le câble pendant le travail.
- g) **Fiches à 3 broches.** Pour réduire tout risque d'électrocution, cet appareil est muni d'une fiche à 3 broches (une broche est plus large que l'autre). Cette fiche ne peut s'adapter dans la prise spécialement prévue à cet effet que d'une façon. **Si la fiche ne rentre pas complètement dans la prise, la retourner. Si elle ne rentre toujours pas, contacter un électricien qualifié pour installer la bonne prise. Ne jamais changer vous-même la fiche.**
- h) **Vérifier si les pièces sont abîmées. Avant de continuer à utiliser l'appareil, vérifier soigneusement si un carter de protection ou une autre pièce n'est pas abîmé(e), s'il (si elle) fonctionne correctement et remplit bien la fonction prévue. Vérifier si les pièces en mouvement sont bien réglées, ne grippent pas, si des pièces ne sont pas cassées, si elles sont bien assemblées et si toutes les autres conditions qui pourraient influencer sur leur fonctionnement sont bien remplies. Si un carter de protection ou une autre pièce sont abîmés, les faire réparer ou remplacer par un atelier de réparation agréé, sauf autre instruction dans le présent mode d'emploi. Faire réparer aussi par le même atelier les interrupteurs s'ils sont défectueux. Ne pas utiliser l'appareil si l'interrupteur ne fonctionne pas correctement.**
- i) **Avant de commencer à visser, enfoncer d'abord la vis d'ancrage dans la douille. Lors du démontage, attention aux pièces qui peuvent tomber.**
- j) **Toujours faire attention que le capot de protection en caoutchouc noir tienne bien à l'avant du boîtier.**
- k) **Avant d'appuyer sur le variateur électronique de vitesse, s'assurer que l'appareil est bien en position de travail.**
- l) **Se munir de gants de protection pour changer d'outil, car l'appareil peut être très chaud après utilisation.**
- m) **L'appareil n'est pas destiné à être utilisé par des enfants ou des personnes affaiblies sans encadrement.**
- n) **Avertir les enfants et veiller à ce qu'ils ne jouent pas avec l'appareil.**

### 1.2.2 Utilisation et emploi soigneux de l'outil électroportatif

- a) **Bien fixer la pièce. Pour ce faire, utiliser un dispositif de serrage ou un étai, pour maintenir la pièce travaillée en place.** Elle sera ainsi mieux tenue qu'à la main, et les deux mains restent alors libres pour commander l'appareil.
- b) **Vérifier que les outils sont bien munis du système d'emmanchement adapté à l'appareil et qu'ils sont toujours correctement verrouillés dans le porte-outil.**
- c) **En cas de coupure de courant, arrêter l'appareil et retirer la fiche de la prise.** Cette mesure de précaution empêche une mise en fonctionnement par mégarde de l'appareil lorsque le courant est rétabli.

### 1.2.3 Sécurité relative au système électrique



- a) **Avant d'entamer le travail, vérifier, par exemple à l'aide d'un détecteur de métaux, qu'il n'y a pas de câbles ou gaines électriques, tuyaux de gaz ou d'eau cachés dans la zone d'intervention.** Toutes pièces métalliques extérieures de l'appareil peuvent devenir conductrices, par exemple, lorsqu'un câble électrique est endommagé par inadvertance. Cela peut entraîner un grave danger d'électrocution.
- b) **Contrôler régulièrement les câbles de raccordement de l'appareil et les faire remplacer par un spécialiste s'ils sont endommagés. Contrôler régulièrement les câbles de rallonge et les remplacer s'ils sont endommagés. Si le câble d'alimentation réseau ou de rallonge est endommagé pendant le travail, ne pas le toucher. Débrancher la fiche de la prise.** Les cordons d'alimentation et câbles de rallonge endommagés représentent un danger d'électrocution.
- c) **Lorsqu'un appareil électrique est utilisé en plein air, s'assurer que l'appareil est raccordé au réseau par le biais d'un interrupteur de protection contre les courants de court-circuit (GFCI) avec un courant de déclenchement maximal de 30 mA.** L'utilisation d'un tel interrupteur de protection réduit le risque d'une décharge électrique.
- d) **En principe, il est recommandé d'utiliser un interrupteur de protection contre les courants de court-circuit (GFCI) avec un courant de déclenchement maximal de 30 mA.**

### 1.2.4 Place de travail

- a) **Veiller à ce que la place de travail soit bien ventilée.** Des places de travail mal ventilées peuvent nuire à la santé du fait de la présence excessive de poussière.
- b) **AVERTISSEMENT: Certains types de poussières générées par ébarbage, meulage, tronçonnage et perçage contiennent des substances chimiques, connues pour être cancérigènes, qui risquent d'entraîner des malformations congénitales, une infertilité, des lésions permanentes des voies respiratoires ou d'autres natures.** Quelques-unes de ces substances chimiques sont le plomb contenu dans

les peintures au plomb, le quartz cristallin provenant des briques, du béton, de la maçonnerie ou de pierres naturelles, ou encore l'arsenic ou le chrome provenant de bois de construction traités chimiquement. Les risques pour l'utilisateur varient en fonction de la fréquence de ces travaux. **Afin de réduire la charge de ces substances chimiques, l'utilisateur et les tierces personnes doivent travailler dans une pièce bien ventilée et utiliser les équipements de sécurité homologués. Porter un masque respiratoire adapté au type de poussière déterminé, qui filtre les particules microscopiques et permet d'éviter tout contact de la poussière avec le visage ou le corps. Éviter tout contact prolongé avec la poussière. Porter des vêtements de protection et laver à l'eau et au savon la portion de peau qui a été en contact avec la poussière.** L'absorption de poussières par la bouche ou les yeux, ou le contact prolongé des poussières avec la peau, risque de favoriser l'absorption de substances chimiques nocives pour la santé.

### 1.2.5 Équipement de protection individuelle



- a) **L'utilisateur et les personnes se trouvant à proximité pendant l'utilisation de l'appareil doivent porter des lunettes de protection adaptées homologuées ANSI Z87.1, un casque de protection, un casque antibruit, des gants de protection et un masque respiratoire léger.**

## Utilisation

### Choix de la douille/du porte-embout/de la rallonge

Utiliser uniquement des douilles S-NSD adaptées aux visseuses à percussion Hilti.

Utiliser des vis ou des écrous de même ouverture sur plats que les douilles. Si l'ouverture sur plats des deux diffère, ceci risque de fausser le couple de serrage et d'abîmer non seulement la douille, mais aussi la tête de la vis.

En cas d'utilisation de douilles aimantées, vérifier qu'aucune pièce telle que petite vis ou petit clou p. ex. n'adhère, lors de la mise en marche de l'appareil.

### Montage de la douille / du porte-embout / de la rallonge 1 2 3



Avant de monter ou de démonter la douille/le porte-embout/la rallonge, s'assurer que l'appareil est à l'arrêt et qu'il est bien débranché.

Enlever le joint torique de la gorge de la douille/du porte-embout/de la rallonge, puis tirer et enlever la goupille de sécurité. Placer la douille/du porte-embout/la rallonge sur le carré d'entraînement du porte-outil. Pour placer la goupille de sécurité, attention que les trous du carré d'entraînement et ceux de la douille/du porte-



embout/de la rallonge correspondent bien. Pour bloquer la douille, remonter la goupille de sécurité et le joint torique. Pour démonter la douille/du porte-embout/la rallonge, opérer en sens inverse. **Pour travailler, toujours s'assurer que la goupille de sécurité est bien montée et bloquée dans la douille/le porte-embout/la rallonge.**

#### Variateur électronique de vitesse **4**

 Avant de brancher l'appareil sur le secteur, toujours vérifier que le variateur fonctionne bien et revient en position Arrêt lorsqu'on le relâche.

Pour mettre l'appareil en marche, appuyer sur le variateur. Pour augmenter la vitesse de rotation, appuyer progressivement sur le variateur. Pour arrêter l'appareil, relâcher le variateur.

#### Molette de réglage pour présélection de la vitesse de rotation/du couple de serrage **5**

Pour choisir la vitesse de rotation et présélectionner aussi le couple de serrage, tourner la molette de réglage. L'appareil est livré avec la vitesse de rotation/le couple de serrage réglés sur leur valeur maximale.

#### Inverseur du sens de rotation **6**

Pour changer de sens de rotation, utiliser l'inverseur. Pour visser ou dévisser à droite (F), appuyer sur le côté droit de l'inverseur; pour visser ou dévisser à gauche, appuyer sur le côté gauche (R).



- Avant de commencer à travailler, toujours vérifier le sens de rotation.
- Ne jamais changer de sens de rotation avant que le moteur ne soit à l'arrêt complet; ceci risquerait d'abîmer l'appareil.

Tenir fermement l'appareil et placer la douille sur la vis ou l'écrou, puis serrer la vis ou l'écrou pendant le temps nécessaire.

#### Remarques:

- Bien tenir l'appareil dans l'axe du vissage et ne pas appuyer exagérément.
- Ne pas appliquer un couple de serrage trop élevé sous peine d'abîmer l'assemblage ou la vis.

Après vissage/serrage de l'écrou, il est conseillé de vérifier la valeur du couple de serrage appliqué avec une clé dynamométrique et, si nécessaire, de serrer encore davantage. Le couple de serrage dépend de plusieurs paramètres comme les facteurs suivants par exemple:

#### 1. Tension du secteur

Toute chute de tension ou sous-tension réduit le couple de serrage/la vitesse de rotation présélectionné(e) maximal(e).

#### 2. Douille

Si l'ouverture sur plats de la douille n'est pas adaptée à la tête de vis/à l'écrou, la valeur du couple de serrage diminue.

Si la douille (la tête hexagonale ou le carré d'entraînement) est usée, la valeur du couple de serrage diminue.

#### 3. Vis

Le couple de serrage, pour le même type de vis ou de fixations, dépend du diamètre de la vis.

Pour une vis de même diamètre, le couple de serrage possible dépend de la longueur de la vis et du type de tête.

#### 4. Rallonges

En cas d'utilisation de cardans, de rallonges, etc., le couple de serrage diminue, mais il est possible d'obtenir le même couple en vissant plus longtemps.

#### 5. Matériau support

Le couple de serrage dépend aussi de la manière d'utiliser l'appareil et du type de matériau. Dans le béton (vis à béton), la résistance à l'enfoncement de la vis dépend aussi bien des tolérances du trou que de la résistance du béton. Il est conseillé d'effectuer des vissages d'essais directement sur place.

## Entretien



Avant de travailler avec l'appareil, toujours vérifier que l'interrupteur est en position «Arrêt» et qu'il est bien débranché.

Hilti ne garantit la sécurité et la fiabilité de cet appareil que si tous travaux de réparation, d'entretien ou de réglage sont effectués dans des centres de service après-vente ou des ateliers agréés par Hilti uniquement, et sous réserve d'utilisation de pièces de rechange d'origine Hilti.

#### -ATTENTION-

**Tenir l'appareil, en particulier les surfaces de préhension, sec, propre et exempt d'huile et de graisse. Ne pas utiliser de nettoyants à base de silicone.**

La coque extérieure du boîtier de l'appareil est fabriquée en plastique résilient. La partie préhensile est en élastomère.

Ne jamais faire fonctionner l'appareil si ses ouïes d'aération sont bouchées! Les nettoyer avec précaution au moyen d'une brosse sèche. Éviter toute pénétration de corps étrangers à l'intérieur de l'appareil. Nettoyer régulièrement l'extérieur de l'appareil avec un chiffon légèrement humide. Ne pas utiliser d'appareil diffuseur, d'appareil à jet de vapeur ou d'eau courante pour le nettoyage afin de garantir sa sûreté électrique!

## Garantie constructeur des appareils

Hilti garantit l'appareil contre tout vice de matières et de fabrication. Cette garantie s'applique à condition que l'appareil soit utilisé et manipulé, nettoyé et entretenu correctement, en conformité avec le mode d'emploi Hilti, et que l'intégrité technique soit préservée, c'est-à-dire sous réserve de l'utilisation exclusive de consommables, accessoires et pièces de rechange d'origine Hilti.

Cette garantie se limite strictement à la réparation gratuite ou au remplacement gracieux des pièces défectueuses

pendant toute la durée de vie de l'appareil. Elle ne couvre pas les pièces soumises à une usure normale.

**Toutes autres revendications sont exclues pour autant que des dispositions légales nationales impératives ne s'y opposent pas. En particulier, Hilti ne saurait être tenu pour responsable de toutes détériorations, pertes ou dépenses directes, indirectes, accidentelles ou consécutives, en rapport avec l'utilisation ou dues à une incapacité à utiliser l'appareil dans quelque but que ce soit. Hilti exclut en particulier les garanties implicites concernant l'utilisation et l'aptitude dans un but bien précis.**

Pour toute réparation ou tout échange, renvoyer l'appareil ou les pièces concernées au réseau de vente Hilti compétent, sans délai, dès constatation du défaut.

La présente garantie couvre toutes les obligations d'Hilti et annule et remplace toutes les déclarations antérieures ou actuelles, de même que tous accords oraux ou écrits concernant des garanties.





# SI 100 Atornilladora de percusión

- Lea estas instrucciones de uso antes de utilizar la herramienta SI 100.
- Guarde siempre estas instrucciones de servicio con el aparato.
- Si entrega usted la herramienta SI 100 a otra persona entréguele también estas instrucciones de uso.
- No use nunca el aparato de ninguna otra manera que las prescritas en estas instrucciones de servicio.


## Elementos de mando y componentes del aparato


- 1 Anillo O
- 2 Suplemento de llave tubular
- 3 Perno de seguridad
- 4 Interruptor electrónico con arranque amortiguado
- 5 Rueda de ajuste del régimen de revoluciones y del momento de torsión
- 6 Giro a la izquierda
- 7 Giro a la derecha
- 8 Inversor del sentido de giro

## Contenido

Generalidades	15
Descripción	16
Datos técnicos	16
Productos de anclaje / herramientas apropiadas	16
Conexión a la red eléctrica	16
Indicaciones de seguridad	17
Indicaciones de uso	19
Mantenimiento	20
Garantía del fabricante de las herramientas	20

## Indicaciones generales

 Este pictograma identifica los avisos de estas instrucciones de servicio que son especialmente importantes para la seguridad. Obsérvelas constantemente pues lo contrario puede conducir a heridas graves.

 **Advertencia: peligro de descarga eléctrica**  
Este símbolo se utiliza en estas instrucciones de uso para avisar de los peligros de la corriente eléctrica. Se seguirán escrupulosamente las instrucciones a este respecto para reducir el riesgo de que se produzcan heridas corporales o daños en la propiedad.

**1** Los números remiten siempre a figuras. Las figuras referidas en el texto las encuentra en las páginas desplegadas. Mantenga estas páginas abiertas mientras estudia estas instrucciones.

La expresión «el aparato» en el texto de estas instrucciones de servicio, se refiere siempre a la herramienta eléctrica objeto de estas instrucciones.

## Señales prescriptivas



## Símbolos de advertencia



## Símbolos



## Descripción

La atornilladora de percusión SI 100, es una herramienta eléctrica.

### Utilización del destornillador adecuado:

- El atornillado en hormigón C20 a C50 de los anclaje con rosca de dimensiones HSU-H 10 o mayores, y el desatornillado de los mismos, se hará siempre siguiendo las recomendaciones del fabricante. No se atornillará el anclaje HUS 7,5.
- El atornillado en los tacos HRD de Hilti se hará de acuerdo con las recomendaciones del fabricante

**Prolongadores.** Asegúrese de que su cable prolongador se encuentra en buen estado. Utilice un prolongador suficientemente grande para transportar la corriente que absorberá su herramienta. Si el cordón está subdimensionado podrá producir una caída de

tensión con las consiguientes pérdidas de potencia y sobrecalentamiento. La tabla siguiente muestra las dimensiones correctas del prolongador a utilizar según la longitud del cordón y la corriente de la placa de características. En caso de duda, elija la dimensión inmediatamente superior. Cuanto menor sea la dimensión, tanto más grueso deberá ser el cordón.

### Tabla de longitudes de cordones

Voltios	Longitud total del cordón en pies			
120 V	0–25	26–50	51–100	101–150
240 V	0–50	51–100	101–200	201–300

Intensidad	Tamaño de hilo				
	Mayor que	No mayor que			
0	6	18	16	16	14
6	10	18	16	14	12
10	12	16	16	14	12
12	16	14	12	Desaconsejado	

## Datos técnicos

Tensión nominal: *	120 V
Intensidad nominal: *	6.0 A
Frecuencia nominal:	60 Hz
Régimen de revoluciones en vacío:	0–2200 /min.
Número de percusiones / min.:	máx. 2600
Marcha a derecha / izquierda:	ambas con igual potencia
Paso de herramienta:	1/2" cuadrangular externa con enclave a perno
Peso del aparato sin cable:	2.3 kg / 5 lbs
Par de apriete máx.:	100 Nm / 74 pies-libras
Aislamiento doble, clase II	

Nos reservamos el derecho a introducir modificaciones técnicas

## Productos para anclajes / Herramientas de colocación adecuadas

Herramientas de colocación	Productos para anclajes	HUS-H <sup>9/16</sup> HUS-H <sup>1/2</sup>	HRD-U10/HRD-S10/ HRD-U14
Vaso directo, mandril S-NSD <sup>9/16</sup> 1/2 L		●	
Vaso directo, mandril S-NSD 1/2 1/2 L		●	
Vaso directo, mandril S-NSD <sup>9/16</sup> 1/2		●	
Vaso directo, mandril S-NSD 1/2 1/2		●	
Vaso directo, mandril S-NSD 13 1/2			●
Vaso directo, mandril S-NSD 17 1/2			●
Portapuntas S-BHU 50 1/2 x 1/4		●	●
Punta S-B-TX 40T			●
Punta S-B-TX 40			●
Punta S-B-TX 50			●
Prolongadores S-V 125 1/2 x 1/2		●	●

Los productos de anclaje no mencionados aquí no deben ser atornillados ni apretados con la atornilladora de percusión SI 100.

## Conexión a la red eléctrica

El aparato se debe conectar a la red eléctrica observando la tensión indicada en la chapa de características; tra-

baja sólo con corriente alterna monofásica. Atendiendo la normativa europea, la máquina tiene aislamiento doble de protección y por tal razón se puede conectar a un enchufe sin toma de tierra. ☐

## Indicaciones de seguridad

### 1.1 Indicaciones generales de seguridad para herramientas eléctricas



**¡Advertencia! Lea con atención todas las instrucciones e indicaciones de seguridad.** En caso de no respetar las instrucciones e indicaciones de seguridad que se describen a continuación, podría producirse una descarga eléctrica, incendio y/o lesiones graves. **Conserve todas las instrucciones e indicaciones de seguridad para futuras consultas.** El término "herramienta eléctrica" empleado en las indicaciones de seguridad se refiere a herramientas eléctricas portátiles, ya sea con cable de red o sin cable, en caso de ser accionadas por batería.

#### 1.1.1 Lugar de trabajo

- Mantenga limpia y bien iluminada la zona de trabajo.** El desorden y una iluminación deficiente de las zonas de trabajo pueden provocar accidentes.
- No utilice la herramienta eléctrica en un entorno con peligro de explosión, en el que se encuentren combustibles líquidos, gases o material en polvo.** Las herramientas eléctricas producen chispas que pueden llegar a inflamar los materiales en polvo o vapores.
- Mantenga alejados a los niños y otras personas de su puesto de trabajo al emplear la herramienta eléctrica.** Una distracción le puede hacer perder el control sobre la herramienta.

#### 1.1.2 Seguridad eléctrica

- El enchufe de la herramienta debe corresponder a la toma de corriente utilizada. No está permitido modificar el enchufe en forma alguna. No utilice enchufes adaptadores para las herramientas con puesta a tierra.** Los enchufes sin modificar adecuados a las respectivas tomas de corriente reducen el riesgo de una descarga eléctrica.
- Evite el contacto corporal con superficies que tengan puesta a tierra, como pueden ser tubos, calefacciones, cocinas y frigoríficos.** El riesgo a quedar expuesto a una sacudida eléctrica es mayor si su cuerpo tiene contacto con tierra.
- No exponga las herramientas eléctricas a la lluvia y evite que penetren líquidos en su interior.** Existe el peligro de recibir una descarga eléctrica si penetran ciertos líquidos en la herramienta eléctrica.
- No utilice el cable de red para transportar o colgar la herramienta, ni tire de él para sacar el enchufe de la toma de corriente. Mantenga el cable de red alejado del calor, aceite, esquinas cortantes o piezas móviles.** Los cables de red dañados o enredados pueden provocar una descarga eléctrica.
- Al trabajar con la herramienta eléctrica en la intemperie utilice únicamente cables de prolongación homologados para su uso en exteriores.** La utilización de un cable de prolongación adecuada

do para su uso en exteriores reduce el riesgo de una descarga eléctrica.

- Cuando no pueda evitarse el uso de la herramienta eléctrica en un entorno húmedo, utilice un interruptor de corriente de defecto.** La utilización de un interruptor de corriente de defecto evita el riesgo de una descarga eléctrica.

#### 1.1.3 Seguridad de personas

- Esté atento a lo que hace y emplee la herramienta eléctrica con prudencia. No utilice la herramienta eléctrica si estuviese cansado, ni tampoco después de haber consumido alcohol, drogas o medicamentos.** Un momento de descuido al utilizar la herramienta podría conllevar serias lesiones.
  - Utilice el equipo de protección adecuado y lleve siempre gafas de protección.** El riesgo de lesiones se reduce considerablemente si, según el tipo y la aplicación de la herramienta eléctrica empleada, se utiliza un equipo de cubierta protectora adecuado como una mascarilla antipolvo, zapatos de seguridad con suela antideslizante, casco o protectores auditivos.
  - Evite una puesta en marcha fortuita de la herramienta. Asegúrese de que la herramienta eléctrica está apagada antes de alzarla, transportarla, conectarla a la alimentación de corriente y/o insertar la batería.** Si transporta la herramienta eléctrica sujetándola por el interruptor de conexión/desconexión o si introduce el enchufe en la toma de corriente con la herramienta conectada, podría producirse un accidente.
  - Retire las herramientas de ajuste o llaves fijas antes de conectar la herramienta eléctrica.** Una herramienta o llave colocada en una pieza rotante puede producir lesiones al ponerse en funcionamiento.
  - Actúe con precaución. Procure que la postura sea estable y manténgase siempre en equilibrio.** Ello le permitirá controlar mejor la herramienta eléctrica en caso de presentarse una situación inesperada.
  - Utilice ropa adecuada. No utilice vestimenta amplia ni joyas. Mantenga su pelo, vestimenta y guantes alejados de las piezas móviles.** La vestimenta suelta, las joyas y el pelo largo se pueden enganchar con las piezas en movimiento.
  - Siempre que sea posible utilice equipos de aspiración o captación de polvo, asegúrese de que están conectados y de que se utilizan correctamente.** El uso de un sistema de aspiración reduce los riesgos derivados del polvo.
- #### 1.1.4 Manipulación y utilización con precaución de las herramientas eléctricas
- No sobrecargue la herramienta. Utilice la herramienta prevista para el trabajo a realizar.** Con la herramienta adecuada podrá trabajar mejor y más seguro dentro del margen de potencia indicado.
  - No utilice herramientas con un interruptor defectuoso.** Las herramientas que no se puedan conectar o desconectar son peligrosas y deben repararse.

- c) **Extraiga el enchufe de la toma de corriente y/o la batería de la herramienta antes de efectuar cualquier ajuste en la herramienta, cambiar accesorios o en caso de no utilizar la herramienta durante un tiempo prolongado.** Esta medida preventiva reduce el riesgo de conectar accidentalmente la herramienta.
- d) **Guarde las herramientas fuera del alcance de los niños y de las personas que no estén familiarizadas con su uso.** Las herramientas utilizadas por personas inexpertas son peligrosas.
- e) **Cuide sus herramientas adecuadamente. Controle si funcionan correctamente, sin atascarse, las partes móviles de la herramienta, y si existen partes rotas o deterioradas que pudieran afectar al funcionamiento de la herramienta. Si la herramienta eléctrica estuviese defectuosa haga repararla antes de volver a utilizarla.** Muchos accidentes son consecuencia de un mantenimiento deficiente de la herramienta eléctrica.
- f) **Mantenga los útiles limpios y afilados.** Las herramientas de corte bien cuidadas y con aristas afiladas se atascann menos y se guían con más facilidad.
- g) **Utilice la herramienta eléctrica, los accesorios, útiles, etc. de acuerdo con estas instrucciones. Para ello, tenga en cuenta las condiciones de trabajo y la tarea que se va a realizar.** El uso de herramientas eléctricas para trabajos diferentes de aquellos para los que han sido concebidas puede resultar peligroso.

### 1.1.5 Servicio

- a) **Solicite que la reparación de su herramienta eléctrica sea llevada a cabo por un profesional, empleando exclusivamente piezas de repuesto originales.** Solamente así se mantiene la seguridad de la herramienta eléctrica.

## 1.2 Seguridad para atornilladora de percusión

### 1.2.1 Seguridad de personas

- a) **Sujete la herramienta eléctrica exclusivamente por las empuñaduras aisladas cuando realice trabajos en los que el elemento de fijación pueda entrar en contacto con cables eléctricos ocultos o con su propio cable.** El contacto de los elementos de fijación con cables conductores puede traspasar la conductividad a las partes metálicas de la herramienta y provocar descargas eléctricas.
- b) **Utilice protección para los oídos.** El ruido constante puede reducir la capacidad auditiva.
- c) **Mantenga las empuñaduras secas, limpias y sin residuos de aceite o grasa.**
- d) **Efectúe pausas durante el trabajo, así como ejercicios de relajación y estiramiento de los dedos para mejorar la circulación.**
- e) **Evite tocar las piezas en movimiento. Conecte la herramienta una vez se encuentre en la zona de trabajo.** Si se tocan piezas en movimiento, en especial herramientas rotativas, pueden ocasionarse lesiones.

- f) **Mientras trabaje, aparte siempre hacia atrás de la herramienta el cable eléctrico y el alargador.** De esta forma se evita el peligro de que se produzcan tropiezos por culpa del cable.
- g) **Enchufes de tres clavijas.** Para reducir todo riesgo de descarga eléctrica, esta herramienta está provista de un enchufe de tres clavijas (una clavija es más larga que las otras). Este enchufe sólo puede adaptarse de una manera a la toma especialmente prevista con este fin. **Devuelva el enchufe si el mismo no entra completamente en la toma. Si el nuevo enchufe tampoco entra póngase en contacto con un electricista cualificado para instalar la toma correcta. No cambie nunca usted mismo el enchufe.**
- h) **Verifique si las piezas están dañadas. Antes de emplear la herramienta, verifique cuidadosamente si se ha dañado algún elemento de protección u otra pieza, si funciona correctamente y responde bien a la función prevista. Verifique si las piezas en movimiento están bien ajustadas, no se agrietan, si hay piezas rotas, si están bien ensambladas y si se cumplen todas las demás condiciones que puedan influir en el funcionamiento. En caso de daño de un elemento de protección o de otra pieza, encargue su reparación o reemplazamiento por un taller de reparación apropiado, salvo que se diga otra cosa en estas instrucciones. Encargue igualmente en el mismo taller la reparación de los interruptores cuando éstos tengan algún defecto. No emplee la herramienta si el interruptor no funciona correctamente.**
- i) **Inserte el anclaje en el suplemento de llave tubular poco antes de atornillar. Al desmontar ponga atención a las piezas que puedan caer.**
- j) **Observe siempre que la caperuzas de caucho asiente siempre correctamente en la parte delantera de la carcasa.**
- k) **Antes de accionar el interruptor de disparo asegúrese de que la herramienta está en la posición de trabajo.**
- l) **Utilice los guantes de protección para el cambio de útil, ya que el útil se calienta debido al uso.**
- m) **La herramienta no es apta para el uso por parte de niños o de personas físicamente no preparadas que no tengan la debida instrucción.**
- n) **Es conveniente advertir a los niños de que no deben jugar con la herramienta.**

### 1.2.2 Manipulación y utilización segura de las herramientas eléctricas

- a) **Asegure la pieza de trabajo. Utilice dispositivos de sujeción o un tornillo de banco para sujetar la pieza de trabajo.** De esta forma estará sujeta de modo más seguro que con la mano y, por otro lado, se podrán mantener libres ambas manos para el manejo de la herramienta.
- b) **Compruebe que los útiles presenten el sistema de inserción adecuado para la herramienta y estén enclavados en el portaútiles conforme a las prescripciones.**

- c) En caso de interrupción de la corriente, desconecte la herramienta y extraiga el enchufe de red. Esto evita la puesta en servicio involuntaria de la herramienta en caso de que vuelva la corriente.

### 1.2.3 Seguridad eléctrica



- a) Compruebe (sirviéndose, por ejemplo, de un detector de metales) antes de empezar a trabajar si la zona de trabajo oculta cables eléctricos, tuberías de gas o cañerías de agua. Las partes metálicas exteriores de la herramienta pueden conducir electricidad si, por ejemplo, se ha dañado accidentalmente una conducción eléctrica. Esto conlleva un peligro grave de descarga eléctrica.
- b) Compruebe con regularidad la línea de conexión de la herramienta y en caso de que tuviera daños, encargue su sustitución a un profesional experto en lamateria. Inspeccione regularmente los alargadores y sustitúyalos en caso de que estuvieran dañados. Si se daña el cable de red o el alargador durante el trabajo, evite tocar el cable. Extraiga el enchufe de red de la toma de corriente. Los cables de conexión y los alargadores dañados son un peligro porque pueden ocasionar una descarga eléctrica.
- c) Al trabajar con una herramienta eléctrica al aire libre, asegúrese de que la herramienta esté conectada mediante un interruptor de corriente de defecto (GFCI) con un máximo de 30 mA de corriente de activación a la red eléctrica. El uso de un interruptor de corriente de defecto reduce el riesgo de descarga eléctrica.
- d) Se recomienda en principio la utilización de un interruptor de corriente de defecto (GFCI) con una corriente de desconexión máxima de 30 mA.

### 1.2.4 Puesto de trabajo

- a) Procure que haya una buena ventilación del lugar de trabajo. Los lugares de trabajo mal ventilados pueden perjudicar la salud debido a la carga de polvo.
- b) **ADVERTENCIA:** Ciertos tipos de polvo que se producen al realizar trabajos de desbarbado, lijado, tronzado y taladrado, contienen sustancias químicas, conocidas por provocar cáncer, que ocasionan malformaciones en el feto, esterilidad, problemas en las vías respiratorias y otras lesiones. Entre estas sustancias químicas se encuentran el plomo de la pintura de plomo, el cuarzo cristalino derivado de ladrillos secos, hormigón, mampostería o piedras naturales, o el arsénico y el cromo derivados de la madera de construcción tratada con productos químicos. El nivel de riesgo varía dependiendo de la frecuencia con la que se realizan estos trabajos. Para reducir los efectos de estas sustancias químicas, tanto el usuario como terceras personas deben trabajar en espacios con buena ventilación y usar siempre equipos de seguridad autoriza-

dos. Utilice una mascarilla adecuada para determinados tipos de polvo que pueda filtrar además partículas microscópicas y mantenga alejado el polvo de la cara y el cuerpo. Evite un contacto prolongado con el polvo. Utilice prendas protectoras y lave con agua y jabón las partes de su cuerpo que hayan estado en contacto con el polvo. La inhalación de partículas de polvo a través de la boca y el contacto prolongado del polvo con la piel y los ojos puede favorecer la ingestión de sustancias químicas perjudiciales para la salud.

### 1.2.5 Equipo de seguridad personal



- a) Cuando se esté utilizando la herramienta, tanto el usuario como las personas que se encuentren a su alrededor deben llevar gafas protectoras, casco de protección, protección para los oídos, guantes de protección y una mascarilla ligera homologados según la norma ANSI Z87.1.

## Indicaciones de uso

**Selección del suplemento de llave tubular/portapuntas**  
Use exclusivamente suplementos de llave tubular S-NSD para atornilladora de percusión de Hilti.

Para tornillos y tuercas utilice suplementos para llaves del mismo paso. Las bocas que no coinciden falsean el momento de torsión, dañan el suplemento de llave tubular y la cabeza del tornillo.

Al usar suplementos magnéticos para llaves, asegúrese que al encender el aparato, no se adhiera ninguna partícula extraña como p. ej. pequeños tornillos o clavos.

**Montaje del suplemento de llave tubular/portapuntas/prolongador 1 2 3**

Antes del montaje o desmontaje del suplemento de llave tubular asegúrese de que el aparato esté desconectado y desenchufado.

Retire el anillo O de la ranura del suplemento de llave tubular/portapuntas/prolongador y quite el perno de seguridad. Coloque el suplemento/portapuntas/prolongador en el accionamiento del aparato de tal manera que coincidan las perforaciones para pasar el perno de seguridad. Vuelva a montar el perno de seguridad y el anillo O para asegurar el suplemento/portapuntas/prolongador. Para el desmontaje proceda en orden contrario al descrito anteriormente. **Al realizar todo trabajo, el perno de seguridad debe estar montado y asegurado en el suplemento/portapuntas/prolongador.**

**Función del interruptor 4**

Antes de conectar el aparato a la red eléctrica compruebe siempre si el interruptor funciona correctamente y que al soltarlo vuelva a la posición «OFF».

Para encender pulse el interruptor electrónico. El régimen de revoluciones se incrementa aumentando la presión sobre el interruptor electrónico. Para desconectar el aparato suelte el interruptor.

### Rueda de ajuste para el régimen de revoluciones y para el momento de torsión **5**

Girando la rueda de ajuste se puede graduar el régimen de revoluciones y con ello también regular el momento de torsión. El aparato sale de fábrica con el régimen de revoluciones (momento de torsión) ajustado al máximo.

### Inversor del sentido de giro **6**

Con el inversor de giro se puede invertir el sentido de marcha. Presione la parte derecha de la llave para que gire a la derecha (F) y la parte izquierda para que lo haga a la izquierda (R).



- Antes de comenzar a trabajar compruebe siempre el sentido de giro.
- No cambie nunca el sentido de giro antes de que el motor se detenga. En caso contrario se puede dañar el aparato.

Sujete firmemente el aparato y coloque el suplemento de llave tubular sobre el tornillo o la tuerca. Realice la atornilladura atendiendo el tiempo de tarea.

### Aviso:

- Mantenga el aparato verticalmente sobre la atornilladura y no presione desmesuradamente.
  - Si el momento de torsión es muy grande, esto puede conducir a daños en la unión o en el tornillo.
- Realizada la atornilladura se debería controlar con una llave dinamométrica si el momento de torsión es correcto y, de ser necesario, apretar. El momento de torsión depende de diversas influencias y factores como, por ejemplo:

### 1º Tensión de red:

Una caída de tensión o baja tensión reduce el máximo momento de torsión y el régimen de revoluciones seleccionado.

### 2º Suplemento de llave tubular:

Si el paso del suplemento de llave tubular difiere del de la atornilladura, el momento de torsión se reduce. Un desgaste del suplemento de llave tubular (desgaste del hexágono o del accionamiento cuadrangular) disminuye el momento de torsión.

### 3º Tornillos

Para tipos de tornillos y atornilladuras similares, el momento de torsión depende del diámetro de los tornillos.

En tornillos del mismo diámetro, el momento de torsión que se puede alcanzar depende del largo del tornillo y del tipo de cabeza.

### 4º Extensiones

Usando articulaciones, prolongadores, etc, se reduce el momento de torsión, lo que se puede compensar con un mayor tiempo de atornilladura.

### 5º Material de base

El manejo del aparato y el tipo de material (hormigón, dureza del fondo) influyen sobre el momento de torsión. El fondo, el diámetro de perforación y el material influyen sobre el momento de extracción.

## Mantenimiento



Antes de todo trabajo con el aparato, asegúrese de que el interruptor esté en posición «OFF» y el cable desenchufado.

Para garantizar la seguridad y la fiabilidad de este aparato, las reparaciones, el mantenimiento y las tareas de ajuste deberían ser realizados en talleres autorizados por Hilti o en centros de servicio técnico utilizando exclusivamente los repuestos originales de Hilti.

### -PRECAUCIÓN-

**Mantenga la herramienta seca, limpia y libre de aceite y grasa, en especial las superficies de la empuñadura. No utilice productos de limpieza que contengan sílicona.**

La carcasa exterior de la herramienta está fabricada en plástico resistente a los golpes. La empuñadura es de un material elastómero. No utilice nunca la herramienta si esta tiene obstruidas las ranuras de ventilación. Limpie cuidadosamente las rejillas de ventilación con un cepillo seco. Evite que se introduzcan cuerpos extraños en el interior de la herramienta. Limpie regularmente el exterior de la herramienta con un paño ligeramente humedecido. No utilice pulverizadores, aparatos de chorro de vapor o agua corriente para la limpieza, ya que podría mermar la seguridad eléctrica de la herramienta.

## Garantía del fabricante de las herramientas

Hilti garantiza la herramienta suministrada contra todo fallo de material y de fabricación. Esta garantía se otorga a condición de que la herramienta sea utilizada, manejada, limpiada y revisada en conformidad con el manual de instrucciones de Hilti, y de que el sistema técnico sea salvaguardado, es decir, que se utilicen en la herramienta exclusivamente consumibles, accesorios y piezas de recambio originales de Hilti.

Esta garantía abarca la reparación gratuita o la sustitución sin cargo de las piezas defectuosas durante toda la vida útil de la herramienta. La garantía no cubre las piezas sometidas a un desgaste normal. Hilti será quien defina cuál es el periodo de vida útil de la herramienta, fijando este plazo siempre por encima de lo que marque la ley vigente.

**Quedan excluidas otras condiciones que no sean las expuestas, siempre que esta condición no sea con-**

**traría a las prescripciones nacionales vigentes. Hilti no acepta la responsabilidad especialmente en relación con deterioros, pérdidas o gastos directos, indirectos, accidentales o consecutivos, en relación con la utilización o a causa de la imposibilidad de utilización de la herramienta para cualquiera de sus finalidades. Quedan excluidas en particular todas las garantías tácitas relacionadas con la utilización y la idoneidad para una finalidad precisa.**

Para toda reparación o recambio, les rogamos que envíen la herramienta o las piezas en cuestión a la dirección de su organización de venta Hilti más cercana inmediatamente después de la constatación del defecto.

Estas son las únicas obligaciones de Hilti en materia de garantía, las cuales anulan toda declaración anterior o contemporánea, del mismo modo que todos los acuerdos orales o escritos en relación con las garantías.





# Aparafusadora de Impacto SI 100

- Leia sempre as instruções de utilização antes de utilizar o aparelho SI 100.
- Guarde este manual de instruções junto com o aparelho
- Sempre que entregar o aparelho SI 100 a outra pessoa deverá incluir estas instruções de utilização.
- Não utilize esta ferramenta eléctrica para outro fim que não o indicado no manual de instruções


## Dispositivos de funcionamento e Componentes

- 1 O-ring
- 2 Mandril de caixa
- 3 Pino de retenção
- 4 Interruptor eletrônico para arranque suave
- 5 Dispositivo para pré-definição da velocidade e aperto
- 6 Rotação no sentido contrário ao dos ponteiros do relógio
- 7 Rotação no sentido dos ponteiros do relógio
- 8 Interruptor reversivo

## Índice


Instruções gerais	23
Descrição	24
Características técnicas	24
Produtos de fixação/acessórios adequados	24
Ligação à corrente	25
Normas de segurança	25
Instruções de operação	27
Manutenção	28
Garantia do fabricante sobre ferramentas	28

## Instruções gerais

 Este símbolo neste manual de instruções representa instruções importantes para a segurança. Siga-as sempre de modo a evitar lesões graves.

 **Aviso – Risco de choque eléctrico**

Nestas instruções de utilização, este símbolo indica situações das quais poderão resultar acidentes com voltagens eléctricas perigosas. As instruções apresentadas deverão ser sempre cumpridas de modo a reduzir o risco de ferimentos pessoais ou danos graves no equipamento.

 Os números referem-se a figuras. Estas figuras encontram-se nas contracapas desdobráveis. Ao ler as instruções, mantenha as contracapas abertas.

Neste manual de instruções, a ferramenta eléctrica à qual este manual diz respeito é referida como «a ferramenta».

## Sinais de obrigação



Use óculos de protecção



Use capacete de segurança



Use protecção auricular



Use luvas de protecção



Use máscara antipoeiras

## Sinais de aviso



Perigo geral



Perigo: Electricidade

## Símbolos

V

Volt

A

Ampere

Hz

Hertz



Corrente alternada

$n_0$

Velocidade nominal de rotação sem carga

/min

Rotações por minuto



Leia o manual de instruções antes de utilizar a ferramenta



Com duplo isolamento



Recicle os desperdícios

## Descrição

A Aparafusadora de Impacto SI100 é uma ferramenta eléctrica.

### Utilização recomendada para a aparafusadora:

- Inserção e remoção de parafusos de fixação Hilti, de dimensão HUS-H<sup>3/8"</sup> e superior em betão de qualidade C20 a C50, de acordo com as recomendações do fabricante. Os parafusos de dimensão HUS7.5 não poderão ser aparafusados.
- Inserção de parafusos em buchas de fixação Hilti, de acordo com as recomendações do fabricante.

**Extensões eléctricas.** Certifique-se de que a extensão eléctrica se encontra em bom estado. Quando utilizar uma extensão eléctrica certifique-se de que é a mais adequada para a potência eléctrica exigida pelo aparelho. Uma extensão inadequada provocará uma perda de voltagem que poderá ser responsável pelo sobreaquecimento e

diminuição da potência do aparelho. O quadro seguinte apresenta as dimensões adequadas que deverá utilizar, tendo em conta a dimensão do cabo e a amperagem da máquina. Em caso de dúvida, deverá utilizar a configuração com o valor seguinte. Quanto menor for o valor, mais pesado será o cabo.

### Quadro de extensões eléctricas

Volts	Dimensão total do cabo em m			
120 V	0–25	26– 50	51–100	101–150
240 V	0–50	51–100	101–200	201–300

### Amperagem AWG

Superior a	Não superior a				
0	6	18	16	16	14
6	10	18	16	14	12
10	12	16	16	14	12
12	16	14	12	Não recomendado	

## Características técnicas

Voltagem:	120 V
Corrente:	6,0 A
Frequência principal:	60 Hz
Velocidade sem carga:	0–2200 /min.
Velocidade de impacto:	Máx. 2600 impactos/min
Rotação no sentido dos ponteiros do relógio/ no sentido contrário ao dos ponteiros do relógio:	Performance idêntica
Mandril:	Pino quadrado 1/2" com pino de retenção
Peso da aparafusadora sem cabo eléctrico:	2,3 kg / 5 lbs
Aperto máximo:	100 Nm / 74 ft. lbs
Isolamento duplo, classe II	

Reservado o direito a alterações técnicas.

## Produtos de fixação / ferramentas de marcação adequadas

Ferramentas de marcação	Produtos de fixação	HUS-H <sup>3/8"</sup> HUS-H <sup>1/2"</sup>	HRD-U10/HRD-S10/ HRD-U14
Suporte para chave de caixa S-NSD <sup>9/16</sup> 1/2 L		●	
Suporte para chave de caixa S-NSD <sup>1/2</sup> 1/2 L		●	
Suporte para chave de caixa S-NSD <sup>9/16</sup> 1/2		●	
Suporte para chave de caixa S-NSD <sup>1/2</sup> 1/2		●	
Suporte para chave de caixa S-NSD 13 <sup>1/2</sup>			●
Suporte para chave de caixa S-NSD 17 <sup>1/2</sup>			●
Suporte para extremidades S-BHU 50 <sup>1/2x</sup> 1/4		●	●
Extremidade S-B-TX 40T			●
Extremidade S-B-TX 40			●
Extremidade S-B-TX 50			●
Extensões S-V 125 <sup>1/2x</sup> 1/2		●	●

Não poderão ser utilizados pela aparafusadora de impacto SI100 outros produtos de fixação que não aqueles mencionados anteriormente.

## Ligação à corrente

Esta aparafusadora eléctrica só poderá ser ligada a uma tomada principal que respeite as indicações apresentadas na placa indicadora e só funcionará com uma corrente alterna, de fase única. O aparelho possui isolamento duplo e a ficha poderá ser ligada a uma tomada sem ligação terra. ☐

## Normas de segurança

### 1.1 Normas de segurança gerais para ferramentas eléctricas



**AVISO:** Leia todas as normas de segurança e instruções. O não cumprimento das normas de segurança e instruções pode resultar em choque eléctrico, incêndio e/ou lesões graves. **Guarde bem todas as normas de segurança e instruções para futura referência.** O termo "ferramenta eléctrica" utilizado nas normas de segurança refere-se a ferramentas com ligação à corrente eléctrica (com cabo de alimentação) ou ferramentas a bateria (sem cabo).

#### 1.1.1 Local de trabalho

- Mantenha a sua área de trabalho limpa e arrumada.** Desordem e fraca iluminação podem ser causa de acidentes.
- Não opere com a ferramenta em ambientes explosivos ou na proximidade de líquidos ou gases inflamáveis.** Ferramentas eléctricas produzem faíscas que podem provocar a ignição de pó e vapores.
- Mantenha crianças e terceiros afastados durante os trabalhos.** Distrações podem conduzir à perda de controlo sobre a ferramenta.

#### 1.1.2 Segurança eléctrica

- A ficha da ferramenta eléctrica deve servir na tomada. A ficha não deve ser modificada de modo algum. Não utilize quaisquer adaptadores com ferramentas com ligação terra.** Fichas originais (não modificadas) e tomadas adequadas reduzem o risco de choque eléctrico.
- Evite o contacto do corpo com superfícies ligadas à terra, como, por exemplo, canos, radiadores, fogões e frigoríficos.** Existe um risco elevado de choque eléctrico se o corpo estiver em contacto com a terra.
- A ferramenta eléctrica não deve ser exposta à chuva nem humidade.** A infiltração de água na ferramenta eléctrica aumenta o risco de choque eléctrico.
- Não use o cabo para transportar, arrastar ou desligar a ferramenta da tomada. Mantenha o cabo afastado de calor, óleo, arestas vivas ou partes em movimento da ferramenta.** Cabos danificados ou emaranhados aumentam o risco de choque eléctrico.

- Quando operar uma ferramenta eléctrica ao ar livre, utilize apenas cabos de extensão aprovados para utilização no exterior.** A utilização de cabos de extensão próprios para exterior reduz o risco de choque eléctrico.
- Utilize um disjuntor diferencial se não puder ser evitada a utilização da ferramenta eléctrica em ambiente húmido.** A utilização de um disjuntor diferencial reduz o risco de choque eléctrico.

#### 1.1.3 Segurança física

- Esteja atento ao que está a fazer e tenha prudência ao trabalhar com a ferramenta eléctrica. Não use a ferramenta eléctrica se estiver cansado ou sob a influência de drogas, álcool ou medicamentos.** Um momento de distração ao operar a ferramenta pode causar ferimentos graves.
- Use equipamento de segurança. Use sempre óculos de protecção.** Equipamento de segurança, como, por exemplo, máscara antipoeiras, sapatos de segurança antiderrapantes, capacete de segurança ou protecção auricular, de acordo com o tipo e aplicação da ferramenta eléctrica, reduzem o risco de lesões.
- Evite um arranque involuntário. Assegure-se de que a ferramenta eléctrica está desligada antes de a ligar à fonte de alimentação e/ou à bateria, pegar nela ou a transportar.** Transportar a ferramenta eléctrica com o dedo no interruptor ou ligar uma ferramenta à tomada com o interruptor ligado (ON) pode resultar em acidentes.
- Remova quaisquer chaves de ajuste (chaves de fenda), antes de ligar a ferramenta eléctrica.** Um acessório ou chave deixado preso numa parte rotativa da ferramenta pode causar ferimentos.
- Não exceda os seus limites. Mantenha sempre uma posição correcta, em perfeito equilíbrio.** Desta forma será mais fácil manter o controlo sobre a ferramenta em situações inesperadas.
- Use roupa apropriada. Não use roupa larga ou jóias. Mantenha o cabelo, vestuário e luvas afastados das peças móveis.** Roupas largas, jóias ou cabelos compridos podem ficar presos nas peças móveis.
- Se poderem ser montados sistemas de aspiração e de recolha de pó, assegure-se de que estão ligados e são utilizados correctamente.** A utilização de um sistema de remoção de pó pode reduzir os perigos relacionados com a exposição ao mesmo.

#### 1.1.4 Utilização e manutenção de ferramentas eléctricas

- Não sobrecarregue a ferramenta. Use para o seu trabalho a ferramenta eléctrica correcta.** Com a ferramenta eléctrica adequada obterá maior eficiência e segurança se respeitar os seus limites.
- Não utilize a ferramenta eléctrica se o interruptor estiver defeituoso.** Uma ferramenta eléctrica que já não possa ser accionada pelo interruptor é perigosa e deve ser reparada.

- c) **Retire a ficha da tomada e/ou a bateria da ferramenta, antes de efectuar ajustes no aparelho, substituir acessórios ou guardar a ferramenta eléctrica.** Esta medida preventiva evita o accionamento acidental da ferramenta.
- d) **Guarde ferramentas eléctricas não utilizadas fora do alcance das crianças. Não permita que o aparelho seja utilizado por pessoas não familiarizadas com o mesmo ou que não tenham lido estas instruções.** Ferramentas eléctricas operadas por pessoas não treinadas são perigosas.
- e) **Trate da sua ferramenta eléctrica com cuidado. Verifique se as partes móveis do aparelho funcionam perfeitamente e não emperram, se há peças quebradas ou danificadas, que possam influenciar o funcionamento do aparelho. Peças danificadas devem ser reparadas antes da utilização da ferramenta.** Muitos acidentes são causados por ferramentas eléctricas com manutenção deficiente.
- f) **Mantenha as ferramentas de corte sempre afiadas e limpas.** Ferramentas de corte com gumes afiados tratadas correctamente emperram menos e são mais fáceis de controlar.
- g) **Utilize a ferramenta eléctrica, acessórios, bits, etc., de acordo com estas instruções. Tome também em consideração as condições de trabalho e o trabalho a ser efectuado.** A utilização da ferramenta eléctrica para outros fins além dos previstos, pode ocasionar situações de perigo.
- f) **Durante o trabalho, mantenha o cabo de alimentação e a extensão sempre na parte de trás da ferramenta.** Evita assim tropeçar no cabo durante os trabalhos.
- g) **Tomadas polarizadas.** De modo a reduzir o risco de choque elétrico, este equipamento possui uma ficha polarizada (um dos pólos é mais comprido do que o outro). Esta ficha apenas poderá ser introduzida de forma correta numa tomada polarizada. **Se não conseguir introduzir a ficha de forma correta, inverta-a. Se ainda assim não conseguir introduzir a ficha na tomada, entre em contacto com um electricista qualificado, para que este monte uma tomada adequada. Não altere nunca a tomada.**
- h) **Verifique as peças danificadas. Antes de continuar a utilizar uma ferramenta, um resguardo ou outra peça que se encontre danificada, deverá verificar se a sua função não se encontra comprometida. Verifique o alinhamento e a folga entre peças móveis, o afastamento entre peças, a montagem e quaisquer outras condições que possam afetar o funcionamento do aparelho. Um resguardo ou qualquer outra peça que se encontre danificada deverá ser reparada ou substituída por um técnico qualificado, exceto nas situações referidas no presente manual de instruções. Quaisquer interruptores danificados deverão ser substituídos por um técnico qualificado. Não utilize a ferramenta se o interruptor de ligação não funcionar corretamente.**
- i) **Ponha a bucha Hilti na inserção da chave de caixa mesmo antes de a inserir, mantenha-se atento as partes que poderão soltar-se durante a desmontagem.**
- j) **Certifique-se sempre de que a tampa de borracha na frente do suporte está devidamente ajustada.**
- k) **Antes de pressionar o interruptor eletrônico, certifique-se de que a ferramenta se encontra na posição correta.**
- l) **Ao efectuar a troca de acessórios, calce luvas de protecção, pois estes aquecem durante a utilização.**
- m) **A ferramenta não está concebido para a utilização por crianças ou pessoas debilitadas sem formação.**
- n) **Deve ensinar-se às crianças que não podem brincar com a ferramenta.**

### 1.1.5 Serviço

- a) **A sua ferramenta eléctrica só deve ser reparada por pessoal qualificado e só devem ser utilizadas peças sobressalentes originais.** Isto assegurará que a segurança da ferramenta se mantenha.

## 1.2 Segurança para aparafusadora de impacto

### 1.2.1 Segurança física

- a) **Segure a ferramenta eléctrica apenas pelas superfícies isoladas dos punhos quando executar trabalhos onde o elemento de fixação pode entrar em contacto com cabos eléctricos enterrados ou com o próprio cabo de rede.** O contacto do elemento de fixação com um cabo condutor de corrente pode fazer com que peças metálicas não isoladas da ferramenta eléctrica estejam sob tensão e o operador da ferramenta receba um choque eléctrico.
- b) **Use protecção auricular.** Ruído em excesso pode levar à perda de audição.
- c) **Mantenha os punhos secos, limpos e sem óleo e gordura.**
- d) **Faça pausas para relaxar os músculos e melhorar a circulação sanguínea nas mãos.**
- e) **Evite o contacto com peças rotativas. Ligue a ferramenta apenas quando estiver no local de trabalho.** O contacto com peças rotativas, nomeadamente brocas, discos, lâminas, etc. pode causar ferimentos.

### 1.2.2 Utilização e manutenção de ferramentas eléctricas

- a) **Para maior segurança e porque assim fica com ambas as mãos livres para segurar a máquina, use grampos ou um torno para segurar peças soltas.**
- b) **Verifique se os acessórios utilizados são compatíveis com o sistema de encaixe e se estão correctamente encaixados.**
- c) **Em caso de corte de energia, desligue a ferramenta e retire a ficha da tomada.** Isto impede que a ferramenta seja colocada involuntariamente em funcionamento quando o corte de energia é reparado.

### 1.2.3 Segurança eléctrica



- a) **Antes de iniciar os trabalhos, verifique o local de trabalho relativamente a cabos eléctricos ocultos, bem como tubos de gás e água, p.ex., com um detector de metais.** Partes metálicas externas da ferramenta podem transformar-se em condutores de corrente se, p.ex., uma linha eléctrica for danificada inadvertidamente. Isto representa um sério perigo de choque eléctrico.
- b) **Verifique o cabo eléctrico regularmente. Se danificado, o cabo deve ser imediatamente substituído por um especialista. Verifique as extensões de cabo regularmente. Se estiverem danificadas, deverão ser substituídas. Se danificar o cabo enquanto trabalha, não lhe toque e desligue a máquina imediatamente. Desligue a máquina da corrente.** Linhas de conexão e extensões danificadas representam um risco de choque eléctrico.
- c) **Se trabalhar com uma ferramenta eléctrica no exterior, certifique-se de que a ferramenta está ligada à rede eléctrica por meio de um interruptor de protecção contra corrente de fuga (GFCI) com uma corrente de disparo de, no máximo, 30 mA.** A utilização de um interruptor de protecção contra corrente de fuga reduz o risco de choque eléctrico.
- d) **Por princípio, recomendamos a utilização de um interruptor de protecção contra corrente de fuga (GFCI) com uma corrente de disparo de, no máximo, 30 mA.**

### 1.2.4 Local de trabalho

- a) **Assegure-se de que o local de trabalho está bem ventilado.** Áreas de trabalho ventiladas podem suscitar problemas de saúde devido à inalação de pó.
- b) **AVISO: Alguns tipos de pó que são produzidos ao desbastar, rebarbar, cortar e furar, contêm agentes químicos conhecidos pelos seus efeitos cancerígenos e teratogénicos, que podem provocar esterilidade e danos permanentes das vias respiratórias ou outros.** Alguns desses agentes químicos são chumbo contido em tinta de chumbo, quartzo cristalino proveniente de tijolos, betão, alvenaria ou pedras naturais, ou, também, arsénico e crómio provenientes de madeira de construção tratada quimicamente. A perigosidade para si varia, consoante a frequência com que efectua estes trabalhos. **Para minimizar a exposição a estes agentes químicos, os utilizadores e terceiros devem trabalhar num espaço bem ventilado, bem como usar equipamentos de segurança apropriados. Use uma máscara antipoeiras adequada para determinados pós, que possa filtrar partículas microscópicas e manter o pó afastado da face e do corpo. Evite o contacto permanente com pó. Use roupa de protecção e lave a área da pele afectada com água e sabão.** A absorção de pó através da boca, dos

olhos ou o contacto permanente dos pés com a pele pode promover a absorção de agentes químicos com risco de efeitos graves para a saúde.

### 1.2.5 Equipamento de protecção pessoal



- a) **O utilizador e restantes pessoas que se encontrem na proximidade da ferramenta devem usar óculos de protecção adequados e aprovados em conformidade com a norma ANSI Z87.1, capacete de segurança, protecção auricular, luvas de protecção e máscara antipoeiras.**

## Instruções de operação

### Seleção do mandril de caixa/suporte/extensão

Utilize somente soquetes de chave de porca de impacto Hilti. Utilize soquetes de chave de porca com a mesma largura da cruz que os parafusos ou porcas a serem colocados. Se os tamanhos não forem os mesmos o aperto não será eficaz além de danificar a chave de porca e a cabeça do parafuso/porca.

Certifique-se que não existem objectos estranhos, tais como pequenos parafusos ou pregos seguros magneticamente na inserção da chave de caixa quando se liga a aparafusadora.

### Colocação do mandril de caixa / suporte / extensão

**1 2 3**

Antes de colocar ou remover mandril de caixa/suporte/extensão, assegure-se que a aparafusadora está desligada e a ficha retirada da tomada.

Retire o O-ring da ranhura do soquete de chave de porca e retire o pino de retenção. Coloque o soquete de chave de porca contra o pino de colocação quadrado da aparafusadora. Alinhe os furos no pino de colocação quadrado e chave de porca para permitir a inserção do pino de retenção. Insira o pino de retenção e substitua o O-ring para fixar o soquete de chave de porca. **Execute estas operações de forma inversa para desmontar. O pino de retenção do soquete de chave de porca deverá ser colocado e fixo antes de utilizar a aparafusadora.**

### Interruptor **4**

Antes de ligar a aparafusadora à corrente eléctrica, verifique sempre que o interruptor trabalha em perfeitas condições e volta à posição OFF quando liberado.

Ao ligar a aparafusadora, pressione o interruptor electrónico. A r.p.m. aumenta com a pressão do interruptor. Para desligar, solte o interruptor.

## Dispositivo de pré-definição da velocidade e aperto **5**

A velocidade e o aperto podem ser seleccionados rodando este dispositivo. A velocidade e aperto máximos estão pré-definidos aquando da entrega da aparafusadora.

## Interruptor reversivo **6**

A direcção da rotação pode ser alterada através do interruptor reversivo. Pressione o lado direito do interruptor para a rotação esquerda-direita (F) e o lado esquerdo do interruptor para a rotação direita-esquerda (R).



- Verifique sempre a rotação da direcção antes de começar o trabalho.
- Nunca altere a direcção da rotação enquanto o motor estiver a trabalhar pois a aparafusadora pode ficar danificada.

Segure firmemente a aparafusadora e coloque o soquete da chave de porca sobre a cabeça do parafuso ou da porca. Aperte o parafuso ou a porca durante o tempo necessário.

### Nota:

- Não aperte demasiado. Se o fizer poderá danificar a fixação do parafuso/porca
- Evite usar um aperto elevado. Isto pode danificar o parafuso/porca e a fixação.

Depois de colocar um parafuso/apertar uma porca, verificar o aperto correcto usando uma chave de aperto, se necessário, rectificar o aperto. O aperto é influenciado por vários factores, tais como:

### 1. Voltagem da corrente

Uma queda na voltagem reduz o aperto/velocidade máximo pré-seleccionado

### 2. Soquete de chave de porca

A utilização incorrecta de soquetes de chave de porca com largura da cruz diferente da dos parafusos ou porcas reduz o aperto.

Um mandril de caixa desgastado (cabeça sextavada ou pino quadrado danificado) reduz o aperto.

### 3. Parafusos

Para o mesmo tipo de parafuso ou fixação, o diâmetro do parafuso orienta o aperto.

Para o mesmo diâmetro de parafuso, o comprimento do parafuso e o tipo da cabeça do parafuso determinam o aperto.

### 4. Extensões

A utilização de extensões, juntas de ligação, etc. reduz o aperto. Isto pode ser contrariado apertando mais o parafuso.

### 5. Material base

O modo como a aparafusadora é usada e o material contra o qual é feito o aparafusamento (betão/resistência do material base) influencia o aperto.

No material base em betão (parafusos para betão) a tolerância do furo e as diferentes resistências do betão são

responsáveis pelas diferentes resistências à penetração. Recomenda-se que se façam testes na obra em fixações problemáticas de parafusos.

## Manutenção



Antes de começar a trabalhar com a aparafusadora, certifique-se que o interruptor está na posição OFF e a ficha retirada da tomada.

De modo a manter a aparafusadora segura e eficaz, a sua manutenção, reparação e ajuste só deverão ser efectuados pelas oficinas ou centros de assistência Hilti, onde só são usadas peças originais Hilti.

### -CUIDADO-

**Mantenha a ferramenta, particularmente as superfícies do punho, seca, limpa e isenta de óleos e massas. Não utilize produtos de limpeza que contenham silicone.**

A carcaça exterior da ferramenta é fabricada em plástico resistente a impactos. O punho é feito de uma borracha sintética.

As saídas de ar devem estar sempre limpas e desobstruídas! Limpe as saídas de ar cuidadosamente com uma escova seca. Evite a penetração de corpos estranhos no interior da ferramenta. Limpe regularmente o exterior da ferramenta com um pano ligeiramente húmido. Não utilize qualquer pulverizador, aparelho de jacto de vapor ou água corrente para limpar a ferramenta! A segurança eléctrica da ferramenta pode ficar comprometida.

## Garantia do fabricante sobre ferramentas

A Hilti garante que a ferramenta fornecida está isenta de quaisquer defeitos de material e de fabrico. Esta garantia é válida desde que a ferramenta seja utilizada e manuseada, limpa e revista de forma adequada e de acordo com o manual de instruções Hilti e desde que o sistema técnico seja mantido, isto é, sob reserva da utilização exclusiva na ferramenta de consumíveis, componentes e peças originais Hilti.

A garantia limita-se rigorosamente à reparação gratuita ou substituição das peças com defeito de fabrico durante todo o tempo de vida útil da ferramenta. A garantia não cobre peças sujeitas a um desgaste normal de uso.

**Estão excluídas desta garantia quaisquer outras situações susceptíveis de reclamação, salvo legislação nacional aplicável em contrário. Em caso algum será a Hilti responsável por danos indirectos, directos, accidentais ou pelas consequências daí resultantes, perdas ou despesas em relação ou devidas à utilização**

**ou incapacidade de utilização da ferramenta, seja qual for a finalidade. A Hilti exclui em particular as garantias implícitas respeitantes à utilização ou aptidão para uma finalidade particular.**

Para toda a reparação ou substituição, enviar a ferramenta ou as peças para o seu centro de vendas Hilti, imediatamente após detecção do defeito.

Estas são todas e as únicas obrigações da Hilti no que se refere à garantia, as quais anulam todas as declarações, acordos orais ou escritos anteriores ou contemporâneos referentes à garantia.









# HILTI

## Hilti Corporation

LI-9494 Schaan

Tel.: +423 / 234 21 11

Fax: +423 / 234 29 65

[www.hilti.com](http://www.hilti.com)

SI 100-1



335620